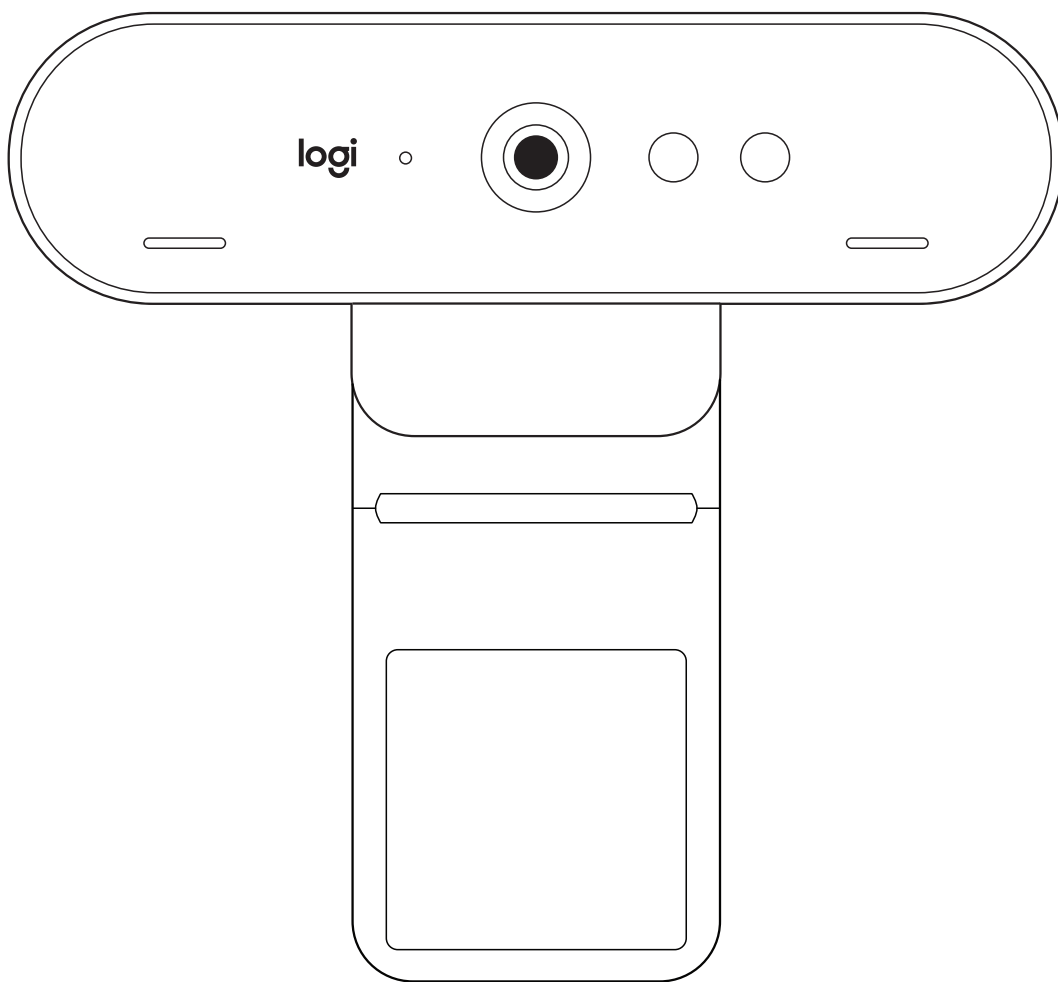
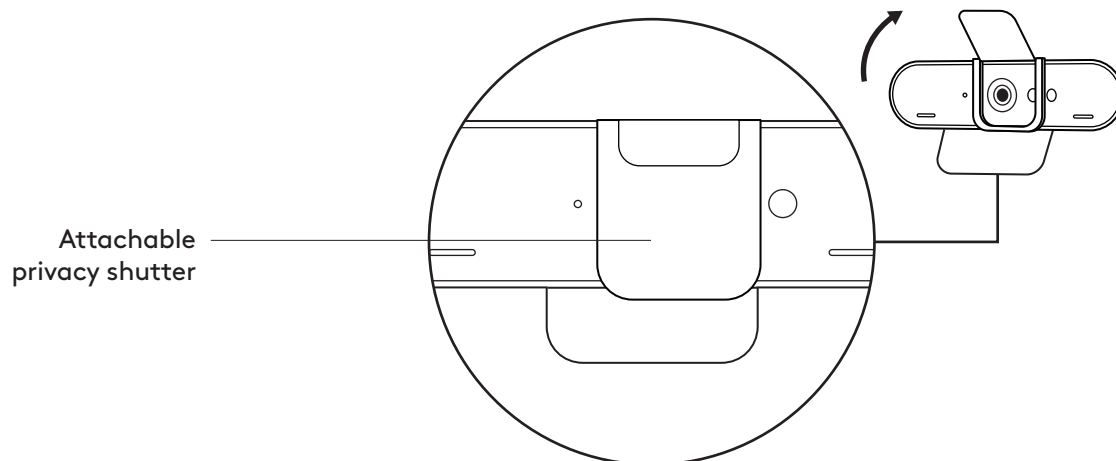
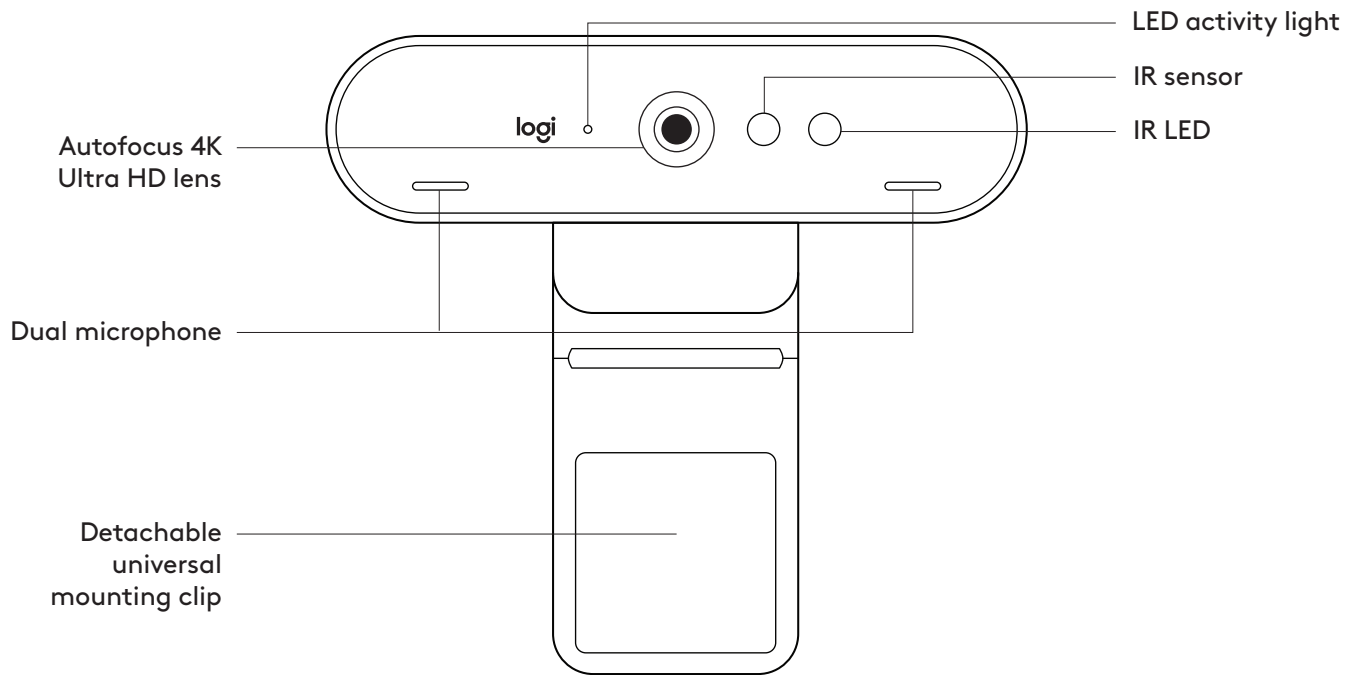


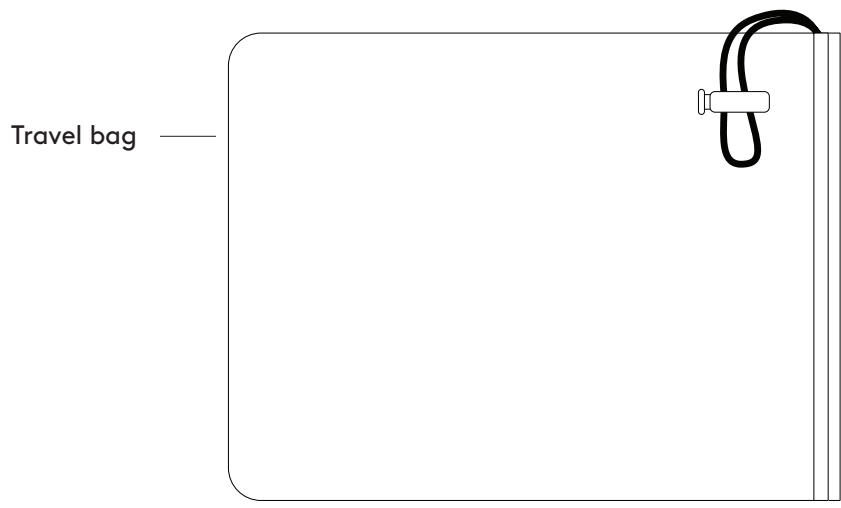
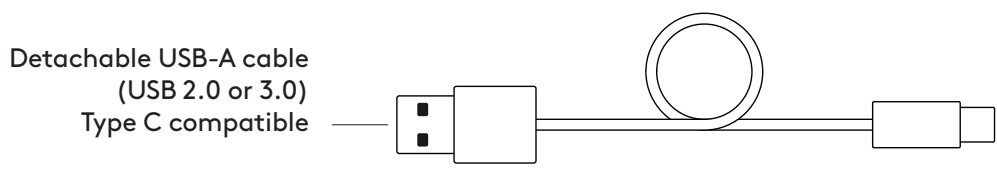
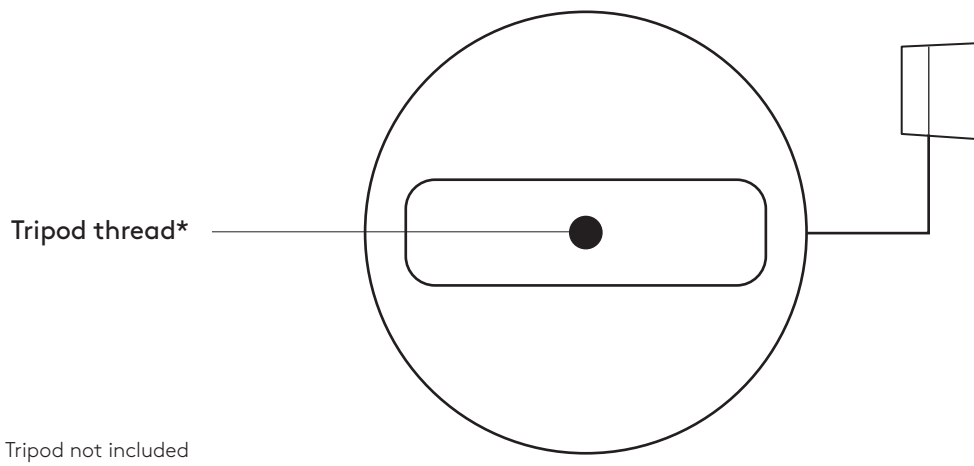
BRIO 4K WEBCAM

Complete Setup Guide



KNOW YOUR PRODUCT





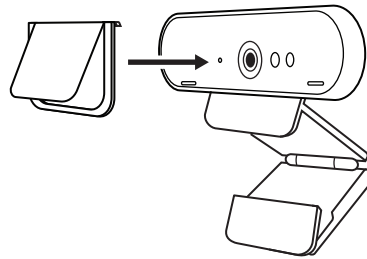
WHAT'S IN THE BOX

- 1 Webcam
- 2 External privacy shutter
- 3 Travel bag
- 4 Detachable universal mounting clip (on webcam)
- 5 7.2 ft (2.2m) USB-A to USB-C cable (USB 2.0 or 3.0)
- 6 User documentation

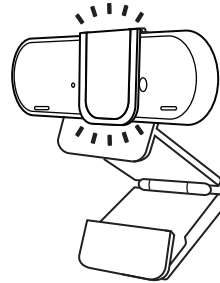


ATTACH THE PRIVACY SHUTTER

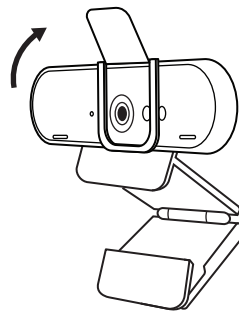
- 1 Attach the privacy shutter over the lens on the webcam as shown.



- 2 Snap it onto the front of the webcam, directly over the center.



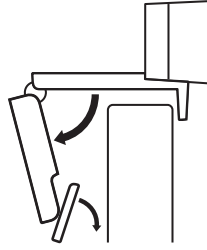
- 3 Manually adjust the privacy shutter to open or close as desired.



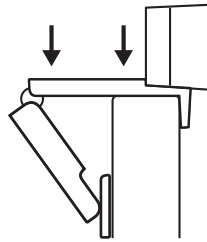
SETTING UP THE WEBCAM

For placement on a monitor

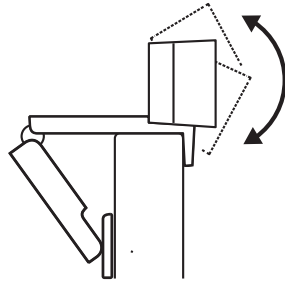
- 1 Place your webcam on a computer, laptop or monitor at a position or angle you desire.



- 2 Adjust the webcam to make sure the foot on the universal mounting clip is flush with the back of your device.

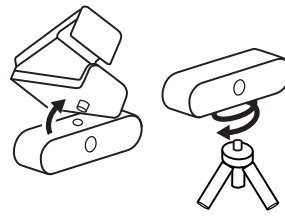


- 3 Manually adjust the webcam up/down to the best position to frame yourself.

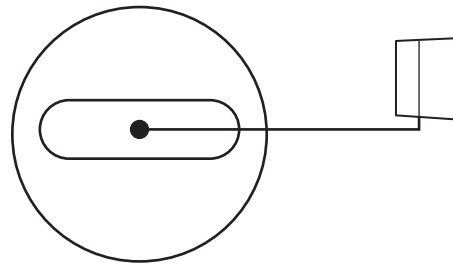


For placement on a tripod*

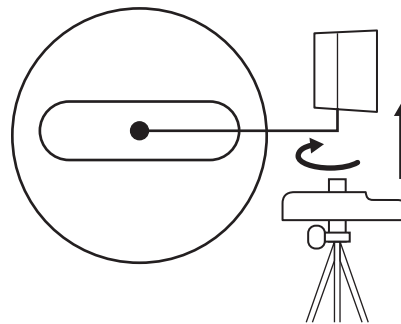
- 1 Remove the detachable universal mounting clip from the webcam.



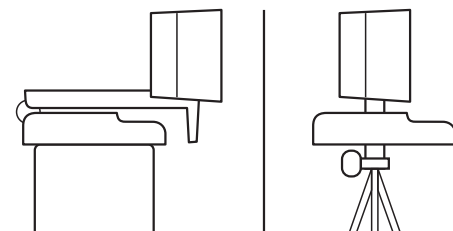
- 2 Locate the 1/4 inch tripod thread on the bottom of the webcam.



- 3 Secure the webcam on your tripod by twisting it into the 1/4 inch thread.



- 4 Place your webcam with the tripod anywhere you desire to the best position to frame yourself.



* Tripod not included

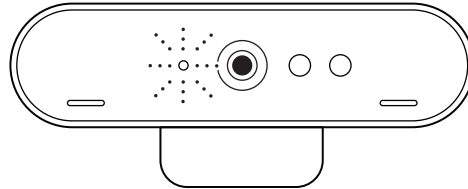
CONNECTING THE WEBCAM VIA USB-A

Plug the USB-C end into the webcam and the USB-A connector into the USB-A port on your computer.



SUCCESSFUL CONNECTION

LED activity light will light up when the webcam is in use by an application.



DIMENSIONS

WEBCAM:

Height x Width x Depth:
1.06 in (27 mm) x 4.02 in (102 mm) x 1.04 in (27 mm)

Cable Length: 7.2 ft (2.2 m)

Weight: 2.22 oz (63 g)

ATTACHABLE MOUNTING CLIP:

Height x Width x Depth:
0.75 in (19 mm) x 1.42 in (36 mm) x 2.48 in (63 mm)

Weight: 1.55 oz (44 g)

www.logitech.com/support/brio4kwebcam