



WIRING DIAGRAMS

5 June 2024

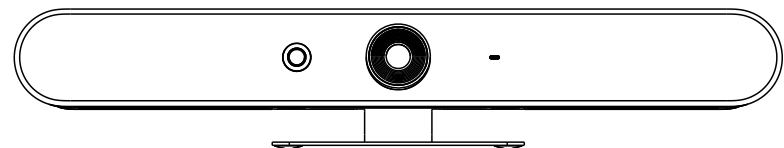
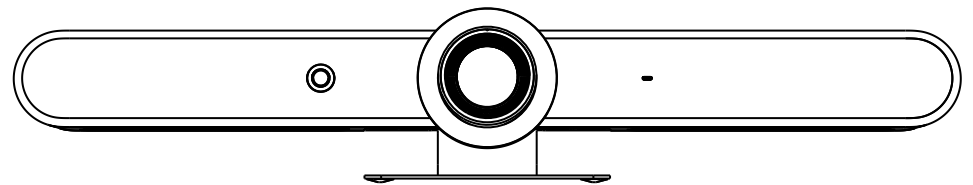
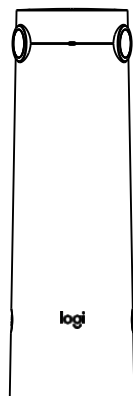
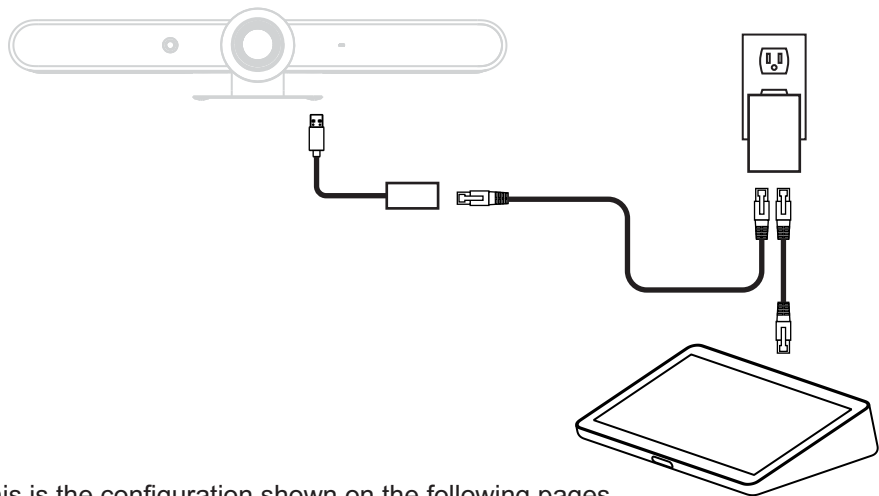


TABLE OF CONTENTS

<u>Mic Pod CAT Coupler</u>	4
<u>Rally Bar/Rally Bar Mini Appliance Mode</u>	6
<u>Rally Bar/Rally Bar Mini BYOD Mode</u>	14
<u>Rally Bar/Rally Bar Mini USB Mode</u>	19
<u>Touch Screens with Microsoft Teams on Android</u>	25
<u>Rally Bar, Mini, Huddle and RoomMate with Touch Screens</u>	30
<u>Rally/Rally Plus</u>	35
<u>SWYTCH</u>	40
<u>RoomMate</u>	50
<u>Scribe</u>	58
<u>Sight</u>	62
<u>Rally Bar Huddle Appliance Mode</u>	76
<u>Rally Bar Huddle BYOD Mode</u>	79
<u>Rally Bar Huddle in USB Mode</u>	81
<u>MeetUp 2</u>	83

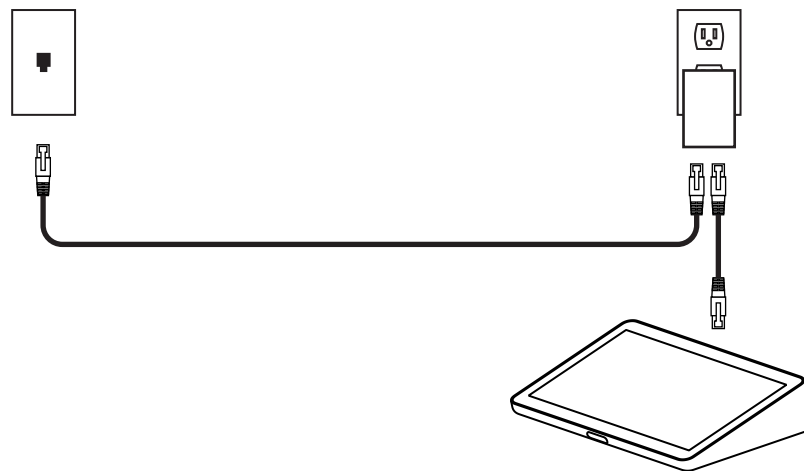
Wiring configurations for Tap and Tap IP: The wiring diagrams on the following pages are shown with Tap but most configurations can be substituted with Tap IP using one of the below connection methods.

Tap
USB connection*

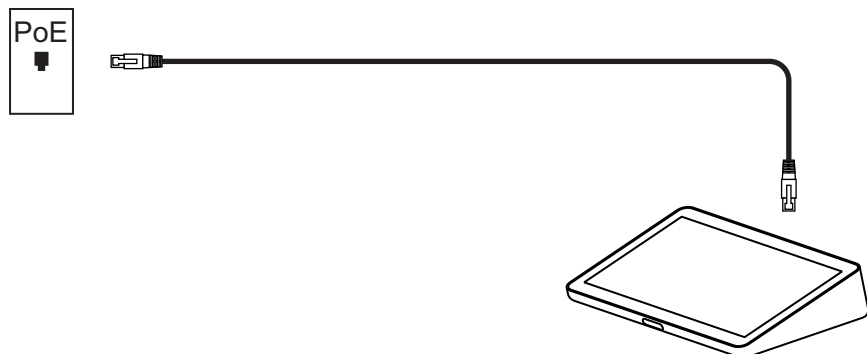


*This is the configuration shown on the following pages

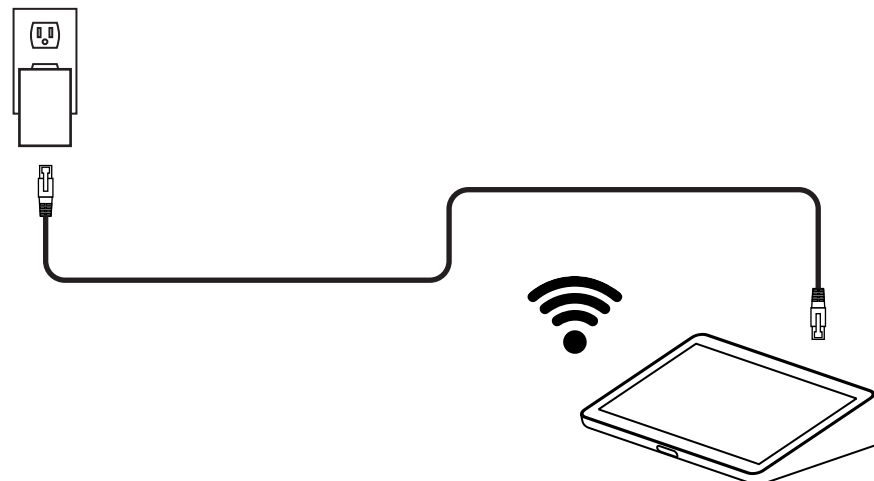
Tap IP
LAN + PoE injector (available for purchase seperately)



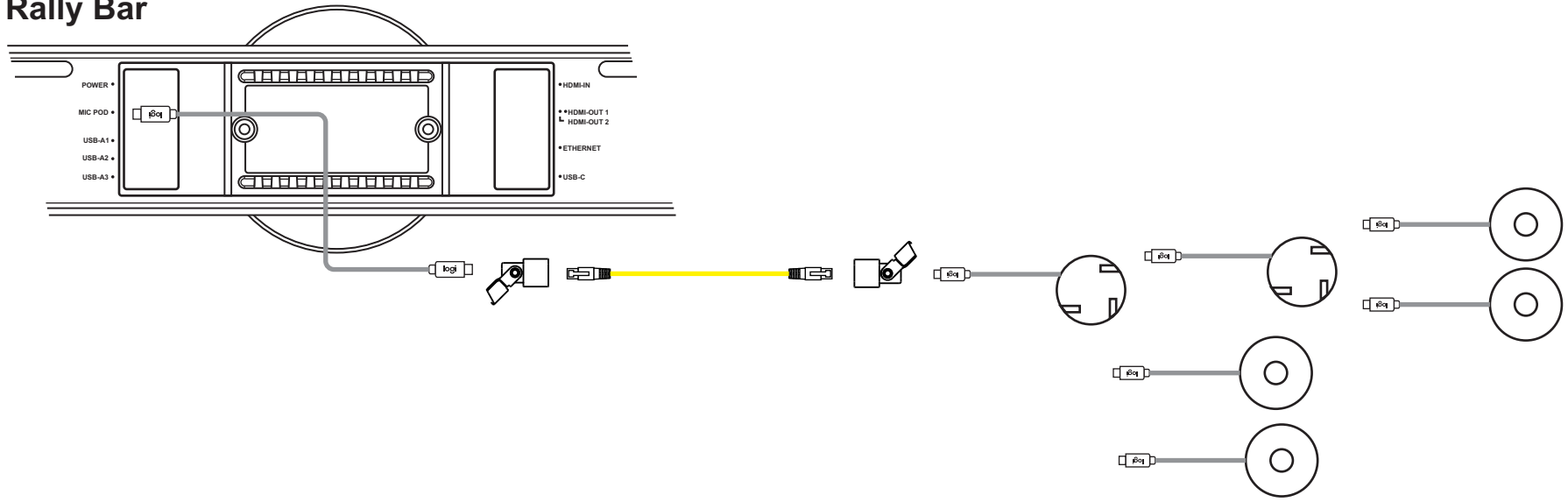
Tap IP
PoE enabled network



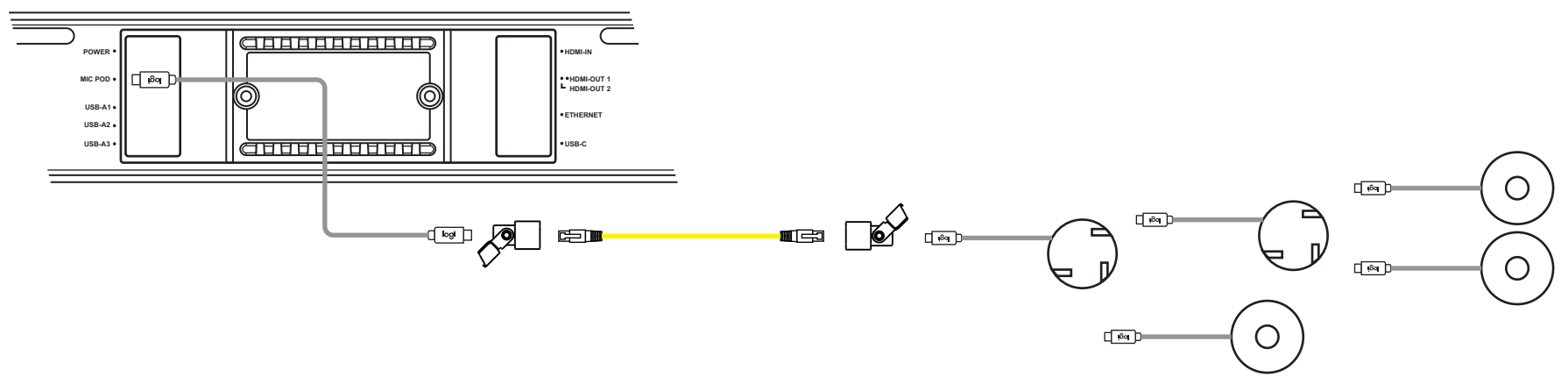
Tap IP
WLAN + PoE injector (available for purchase seperately)



Rally Bar



Rally Bar Mini

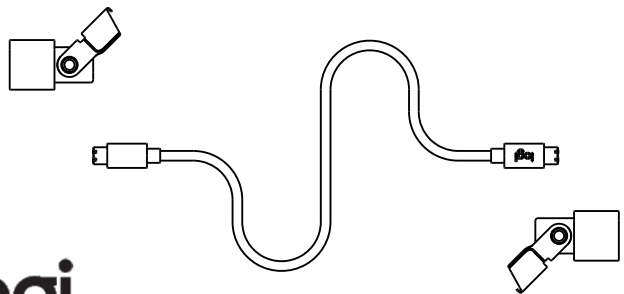


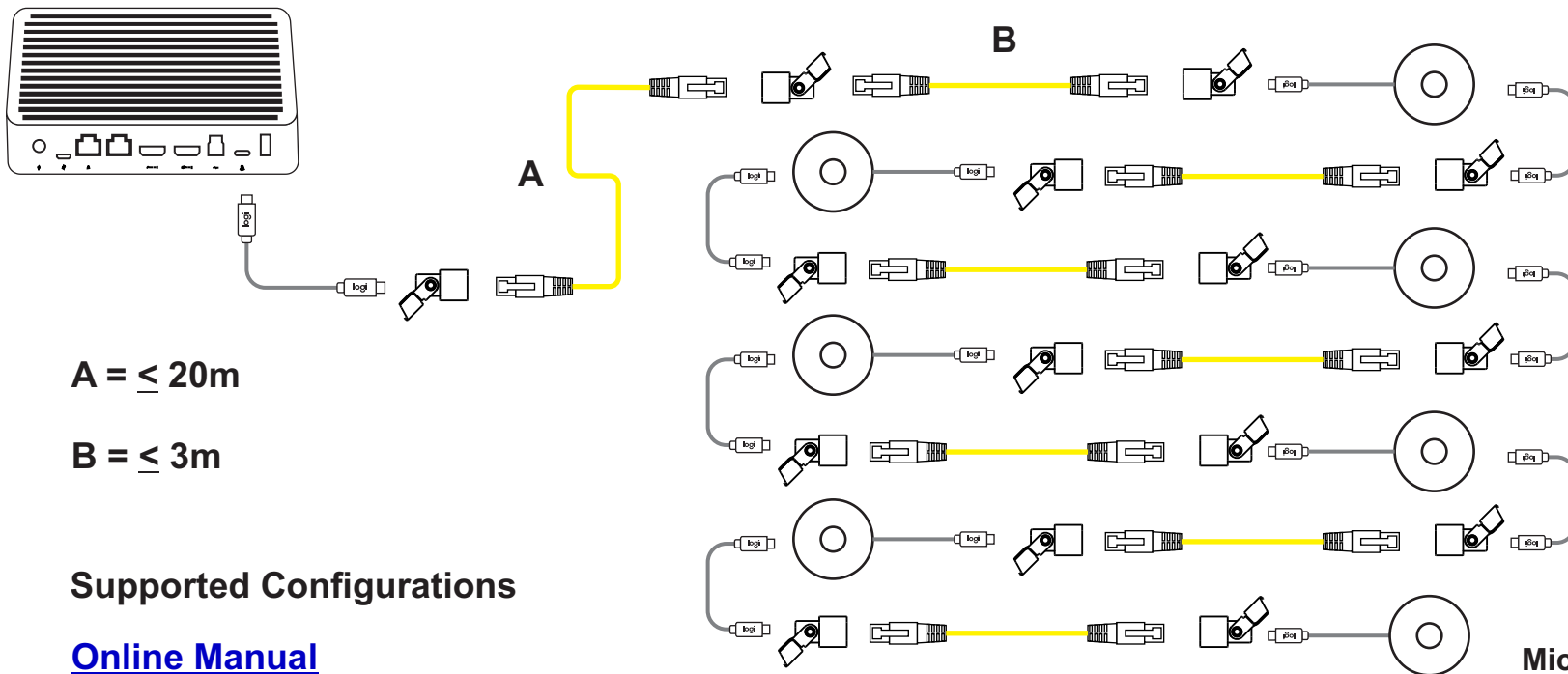
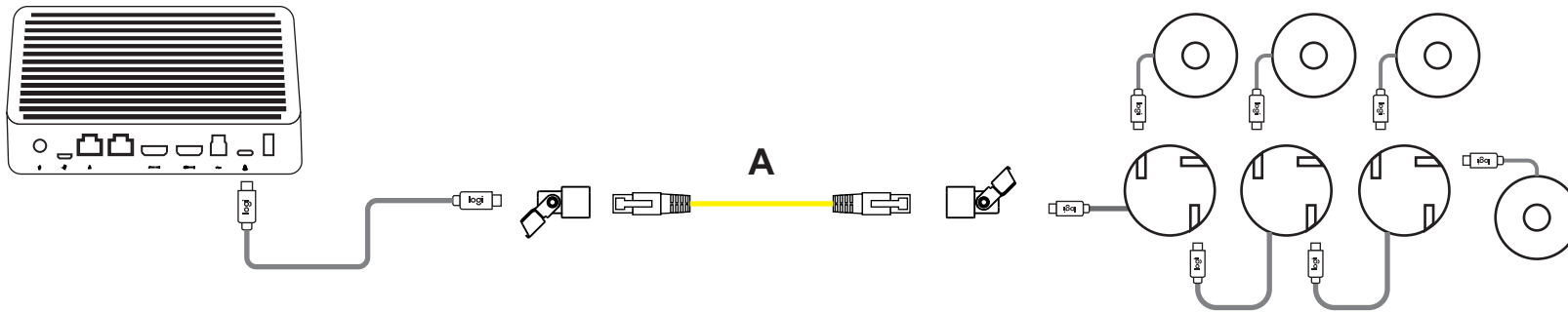
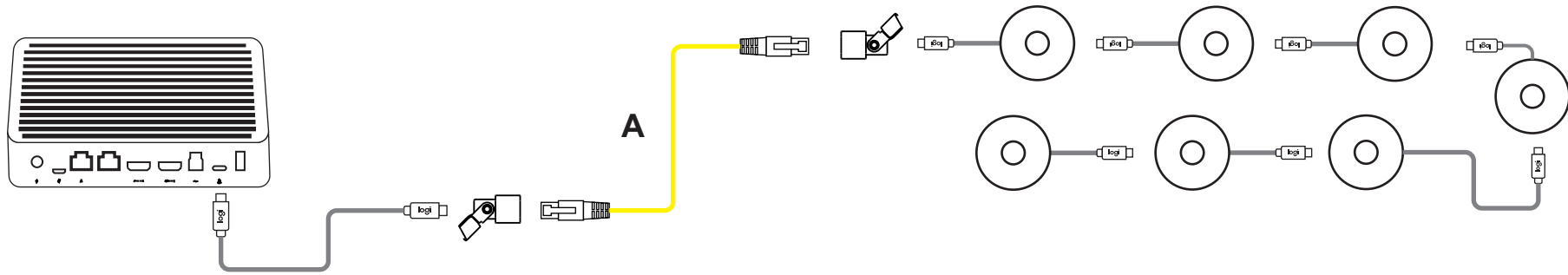
CAT cable ≤ 20m

Supported Configurations

[Online Manual](#)

Mic Pod CAT Coupler
Rally Bar / Rally Bar Mini





A = ≤ 20m

B = ≤ 3m

Supported Configurations

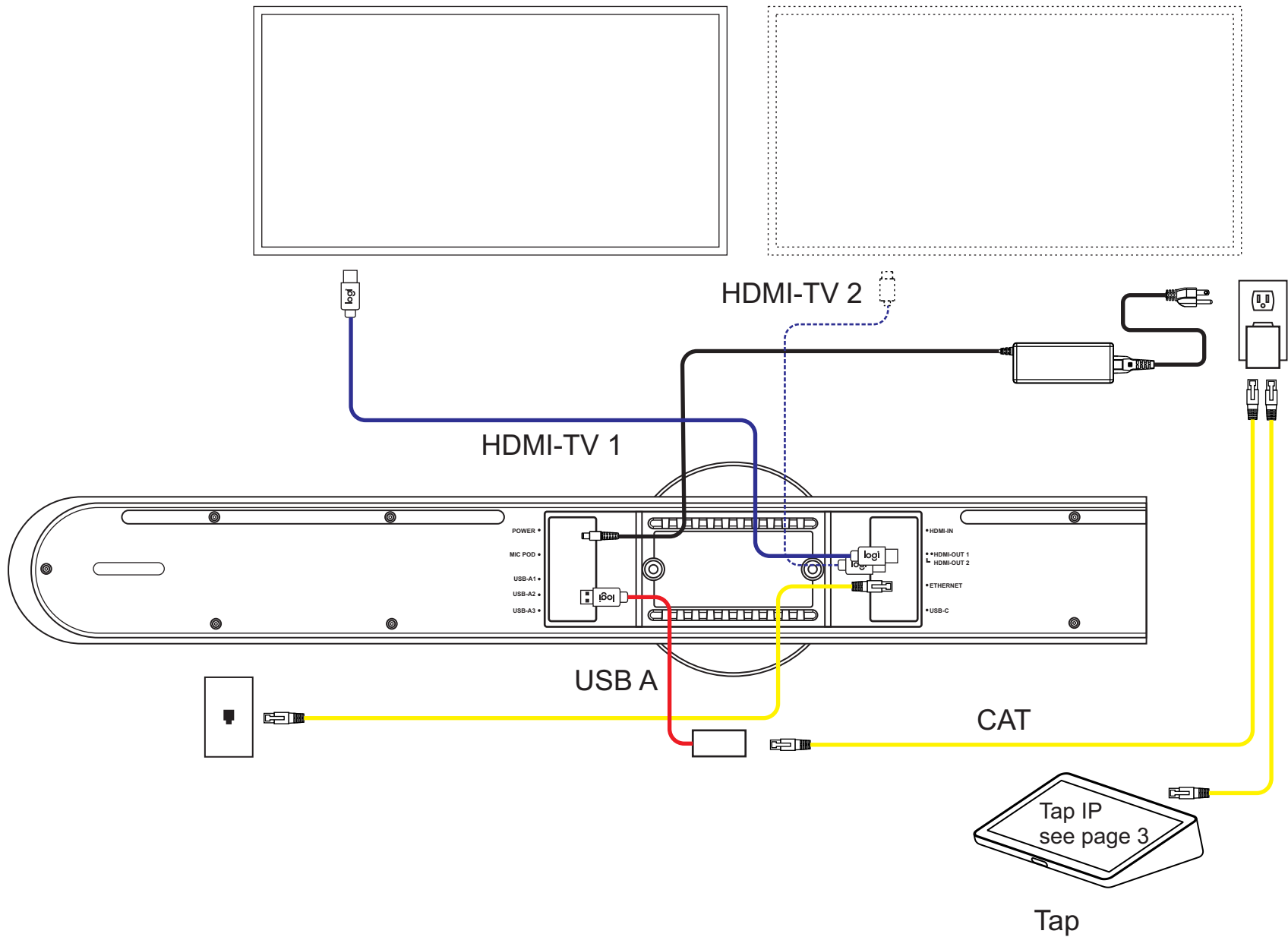
[Online Manual](#)



**Mic Pod CAT Coupler
Rally / Rally Plus
Maximum 7 Mic Pods and/or Mic Pod Hubs**

RALLY BAR & RALLY BAR MINI IN APPLIANCE MODE

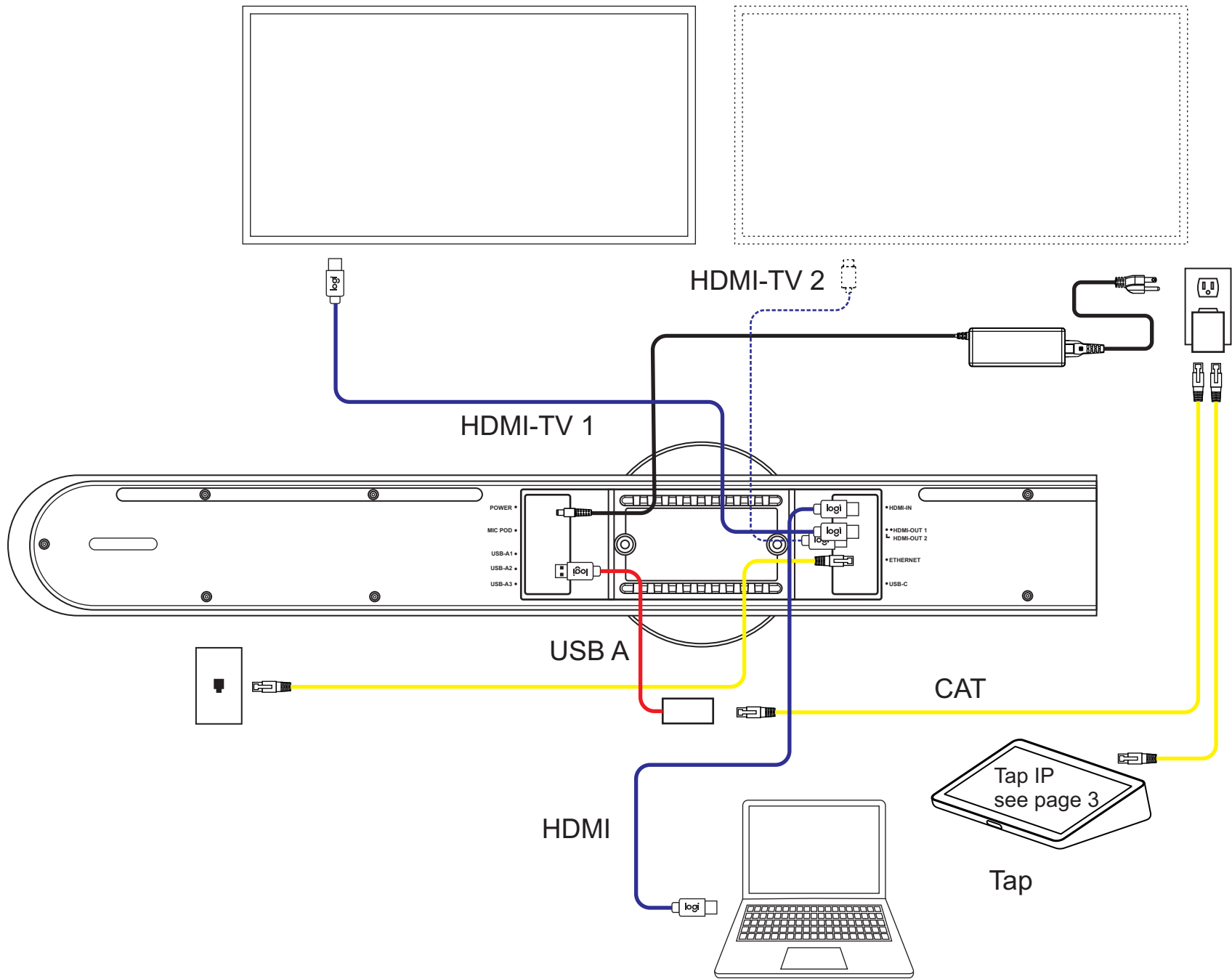
[Table of Contents](#)



- CAT ■
- USB ■
- HDMI ■



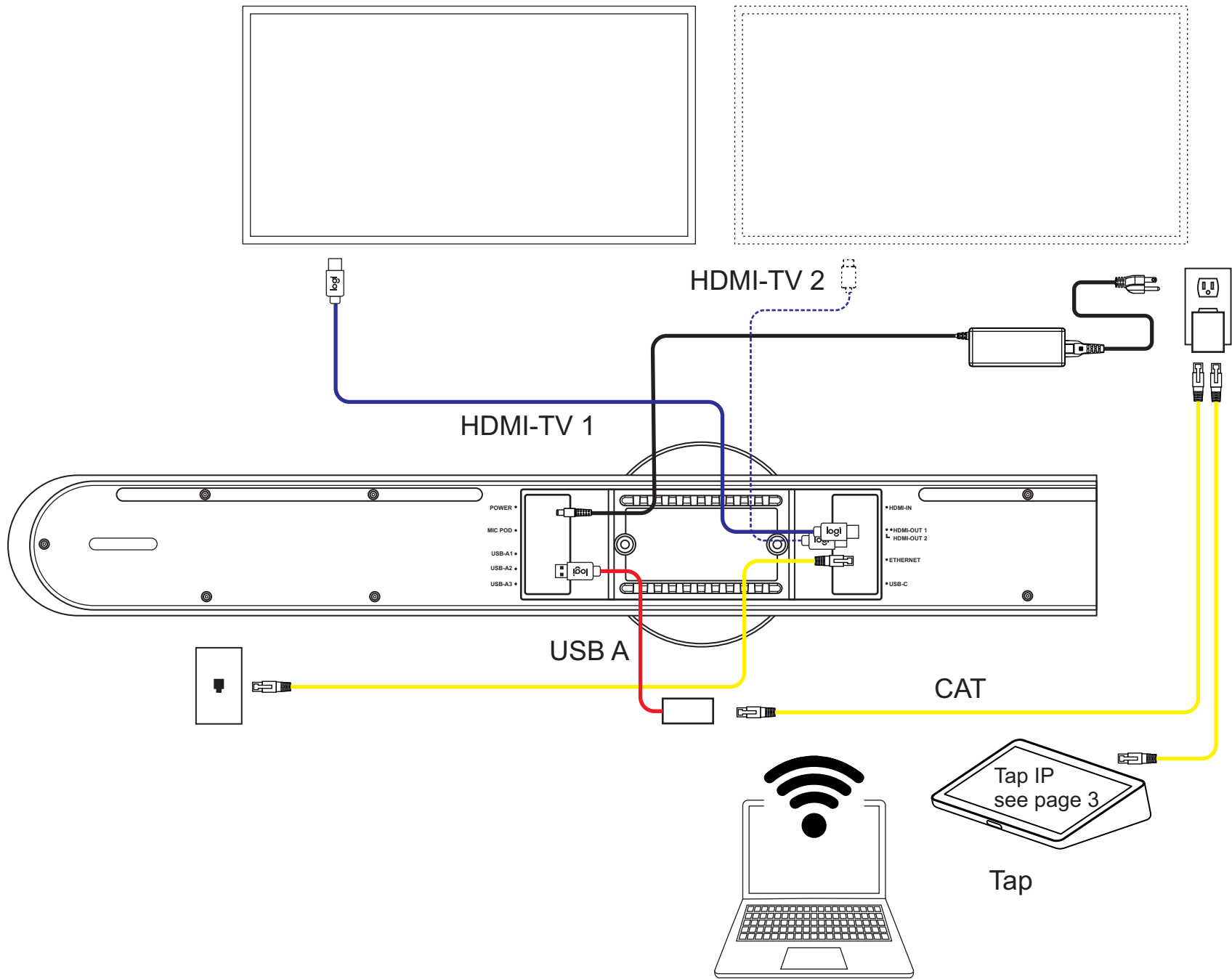
Rally Bar / Rally Bar Mini
Appliance Mode: Default configuration



- CAT ■
- USB ■
- HDMI ■



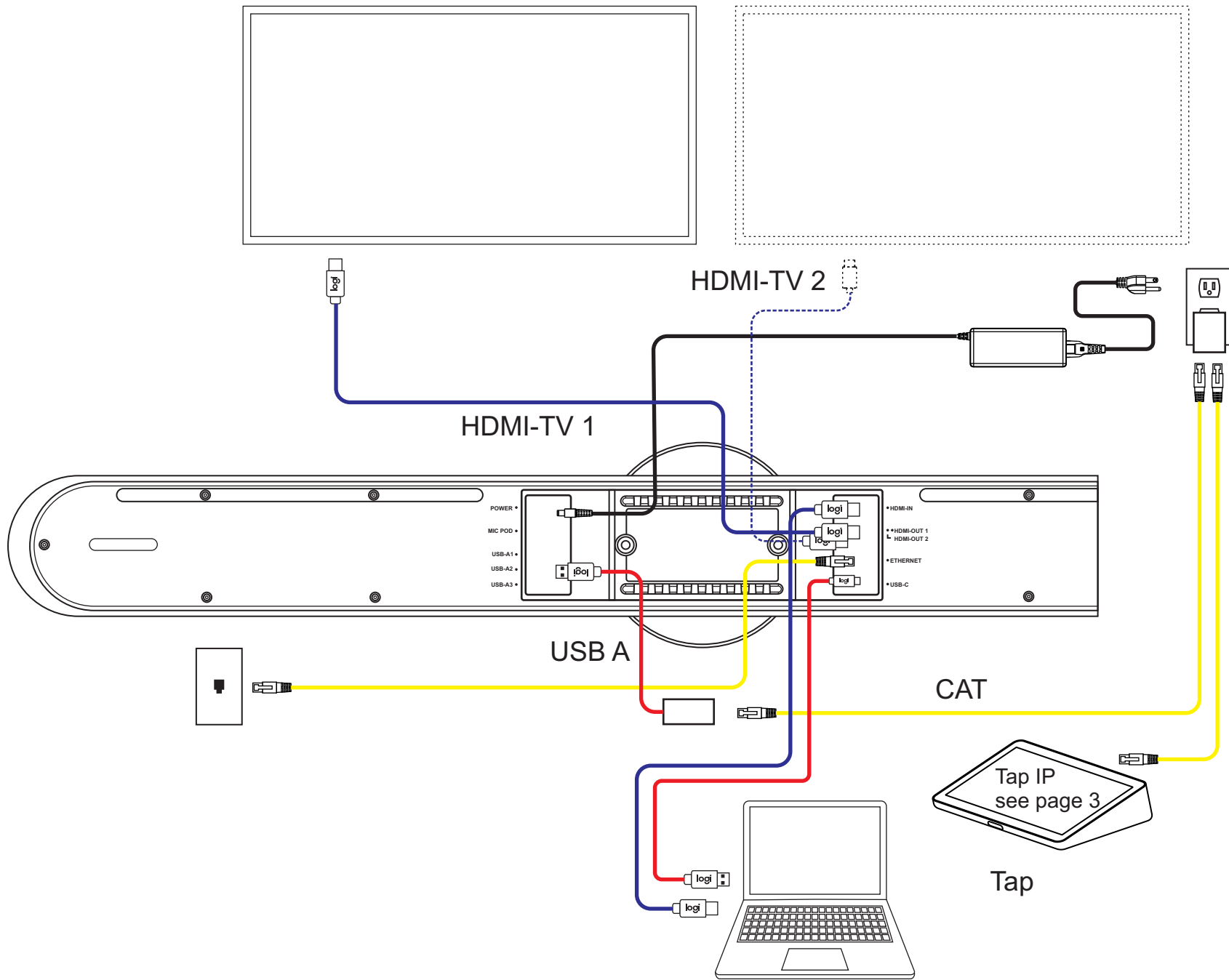
Rally Bar / Rally Bar Mini
Appliance Mode: Wired screen share (VC application dependent)



- CAT ■
- USB ■
- HDMI ■



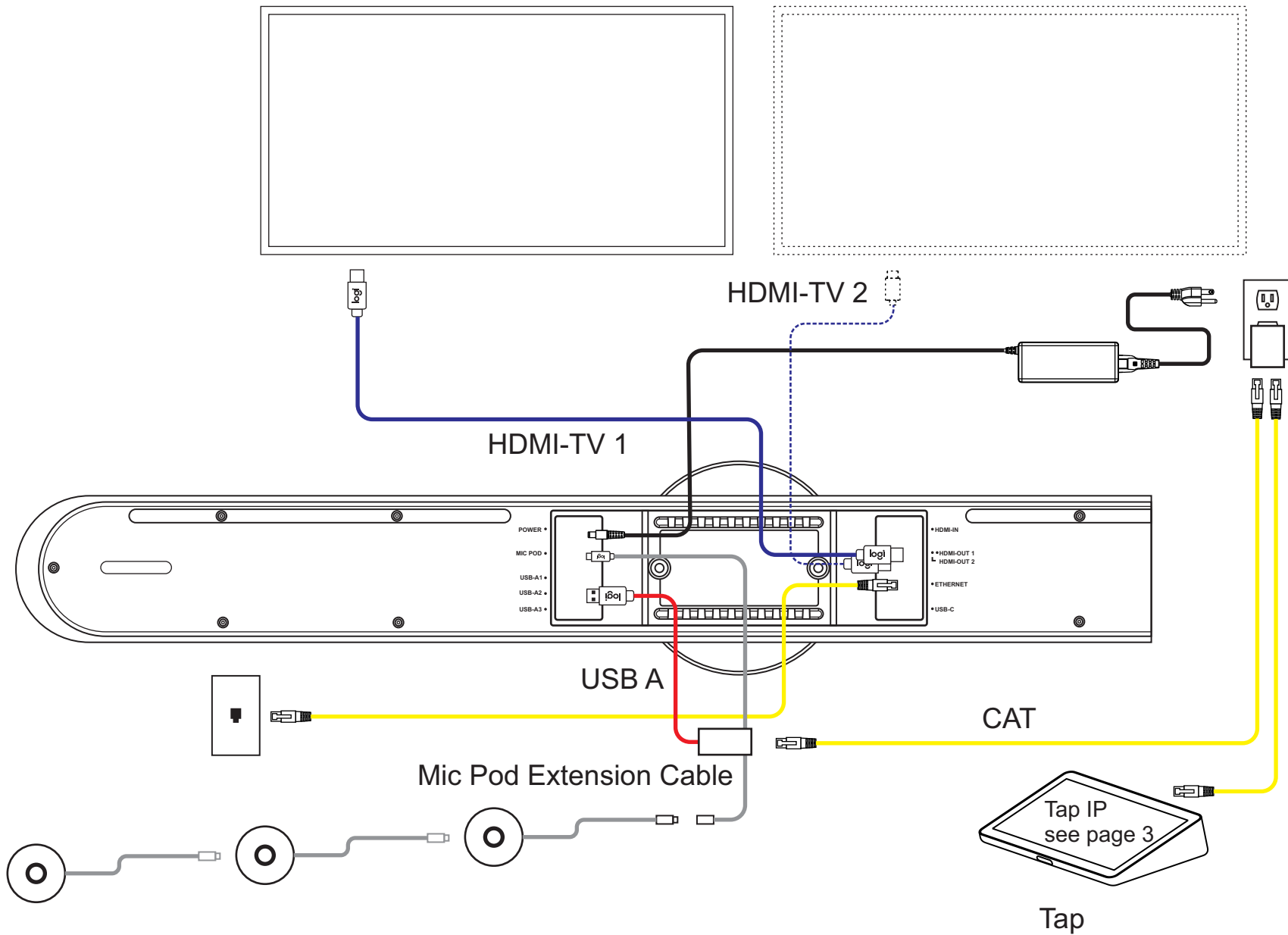
Rally Bar / Rally Bar Mini
Appliance Mode: Wireless screen share through VC application



CAT ■
 USB ■
 HDMI ■



**Rally Bar / Rally Bar Mini
Appliance Mode: Temporary switch to USB mode**

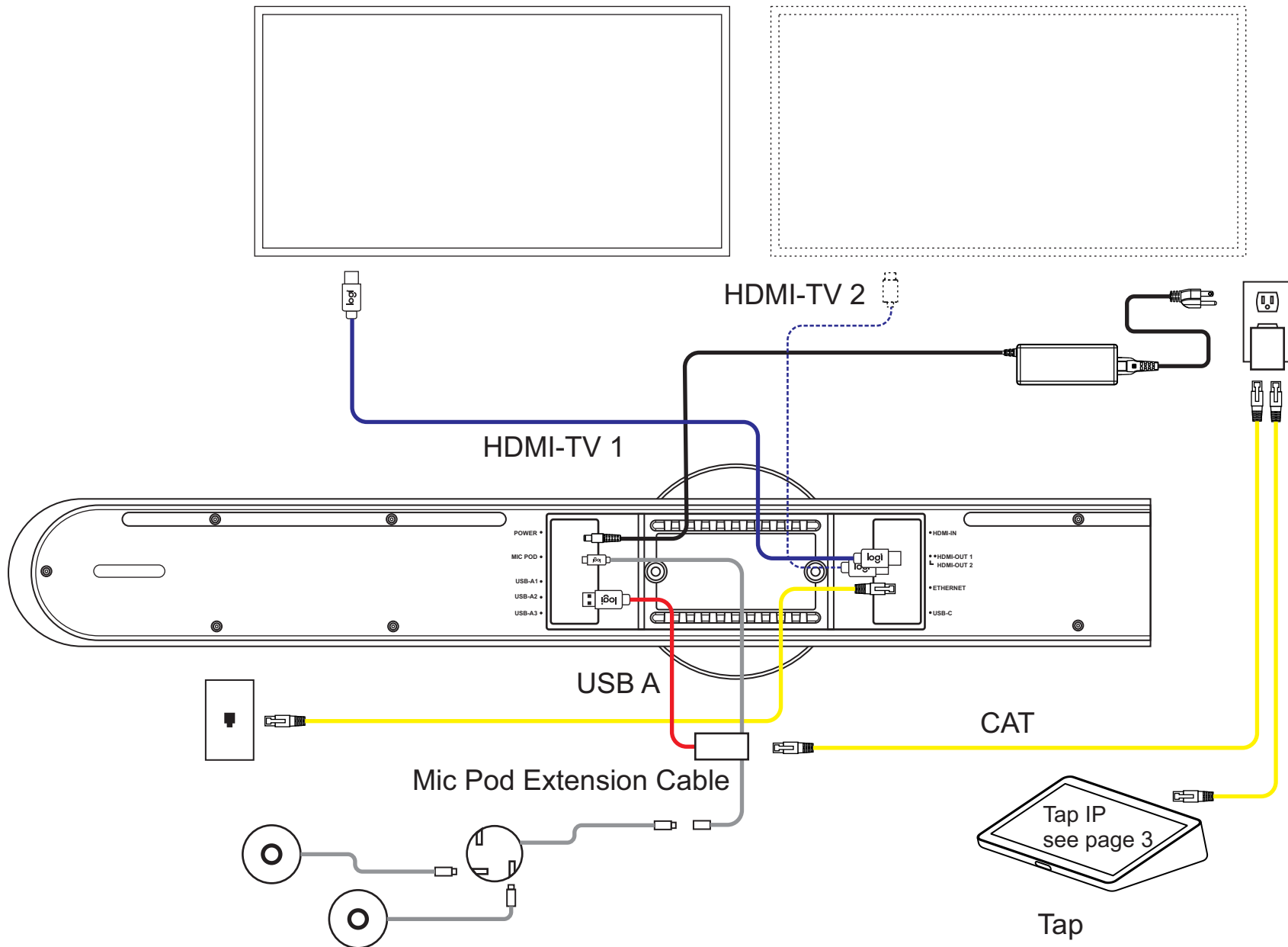


- CAT ■
- USB ■
- HDMI ■
- MIC ■



**Rally Bar / Rally Bar Mini
Appliance Mode**

Rally Bar max 4 Mic Pods; Rally Bar Mini max 3 Mic Pods

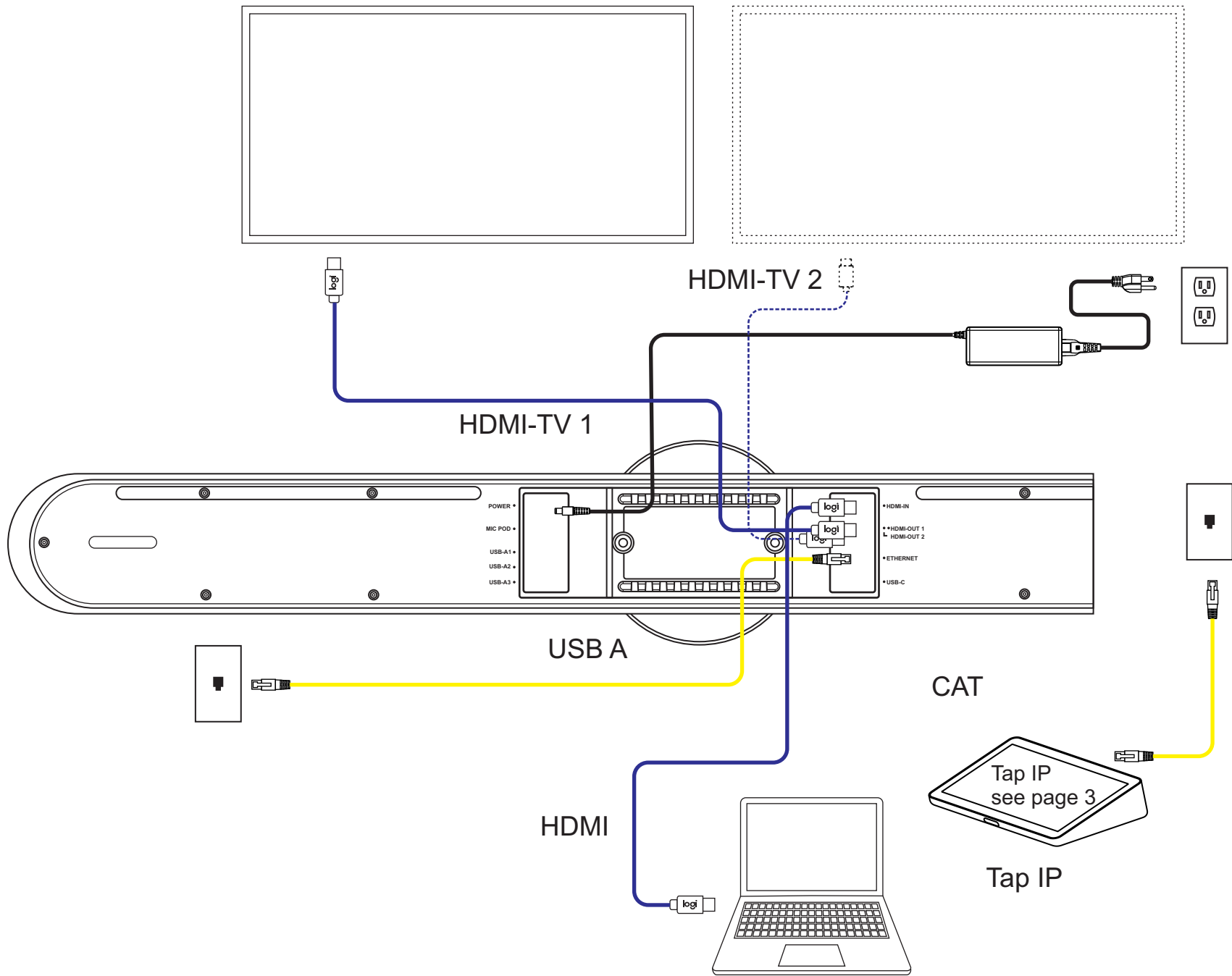


- CAT ■
- USB ■
- HDMI ■
- MIC ■



**Rally Bar / Rally Bar Mini
Appliance Mode:**

Rally Bar max 4 Mic Pods + 2 Mic Pod Hubs /Rally Bar Mini max 3 Mic Pods + 2 Mic Pod Hubs



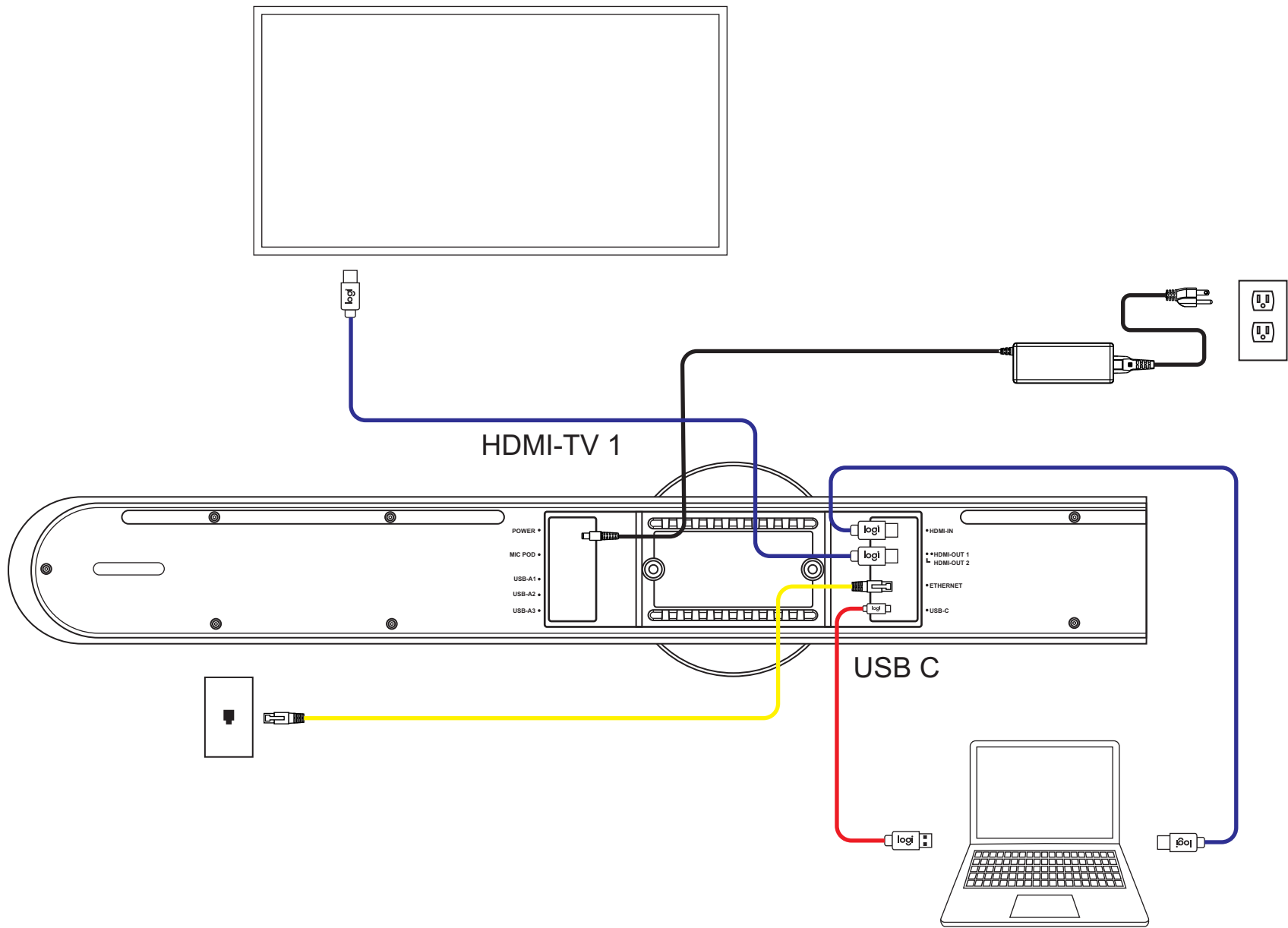
- CAT ■
- USB ■
- HDMI ■



Rally Bar / Rally Bar Mini
Appliance Mode: Wired screen share (VC application dependent)

RALLY BAR & RALLY BAR MINI IN BYOD MODE

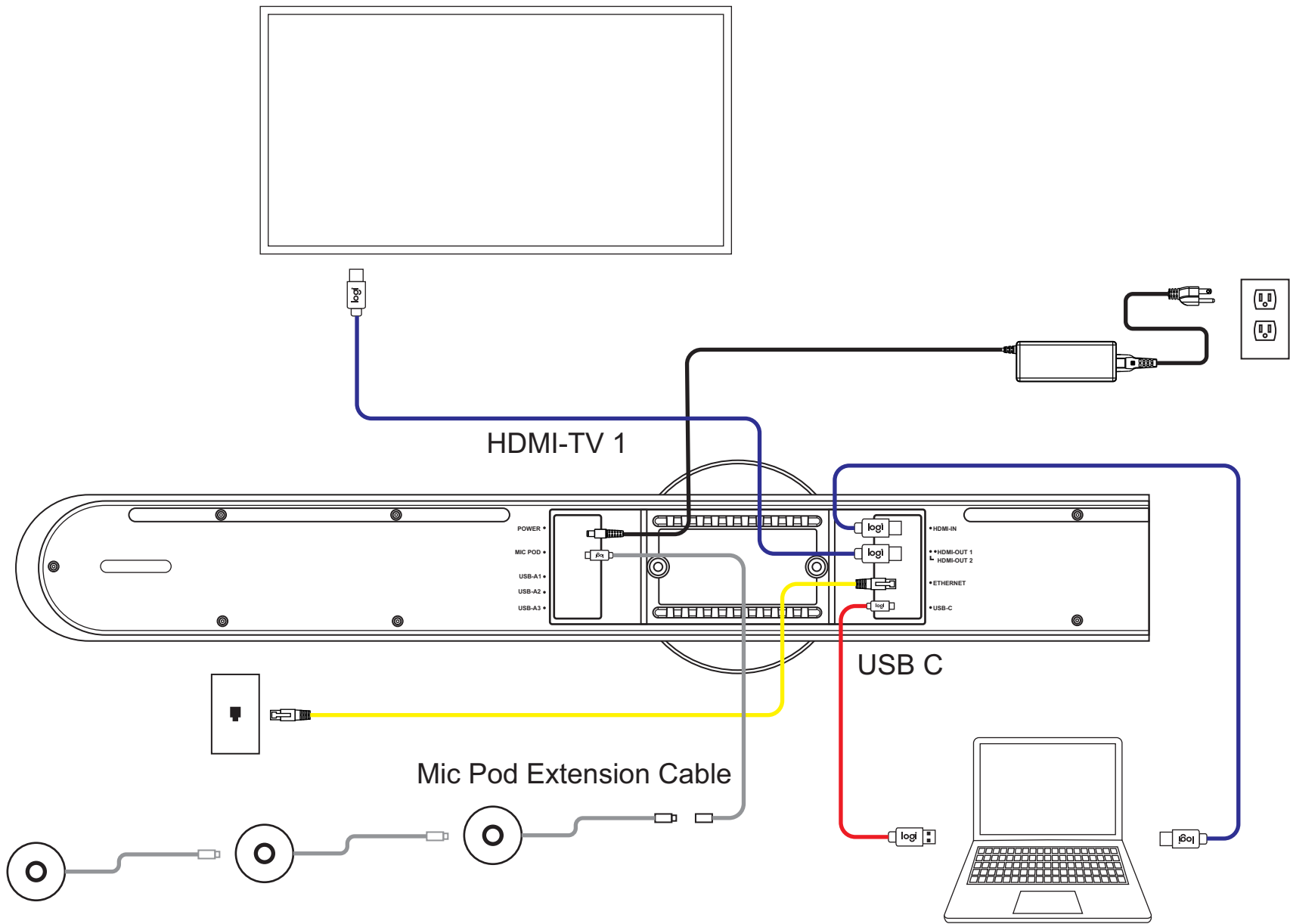
[Table of Contents](#)



- CAT
- USB
- HDMI



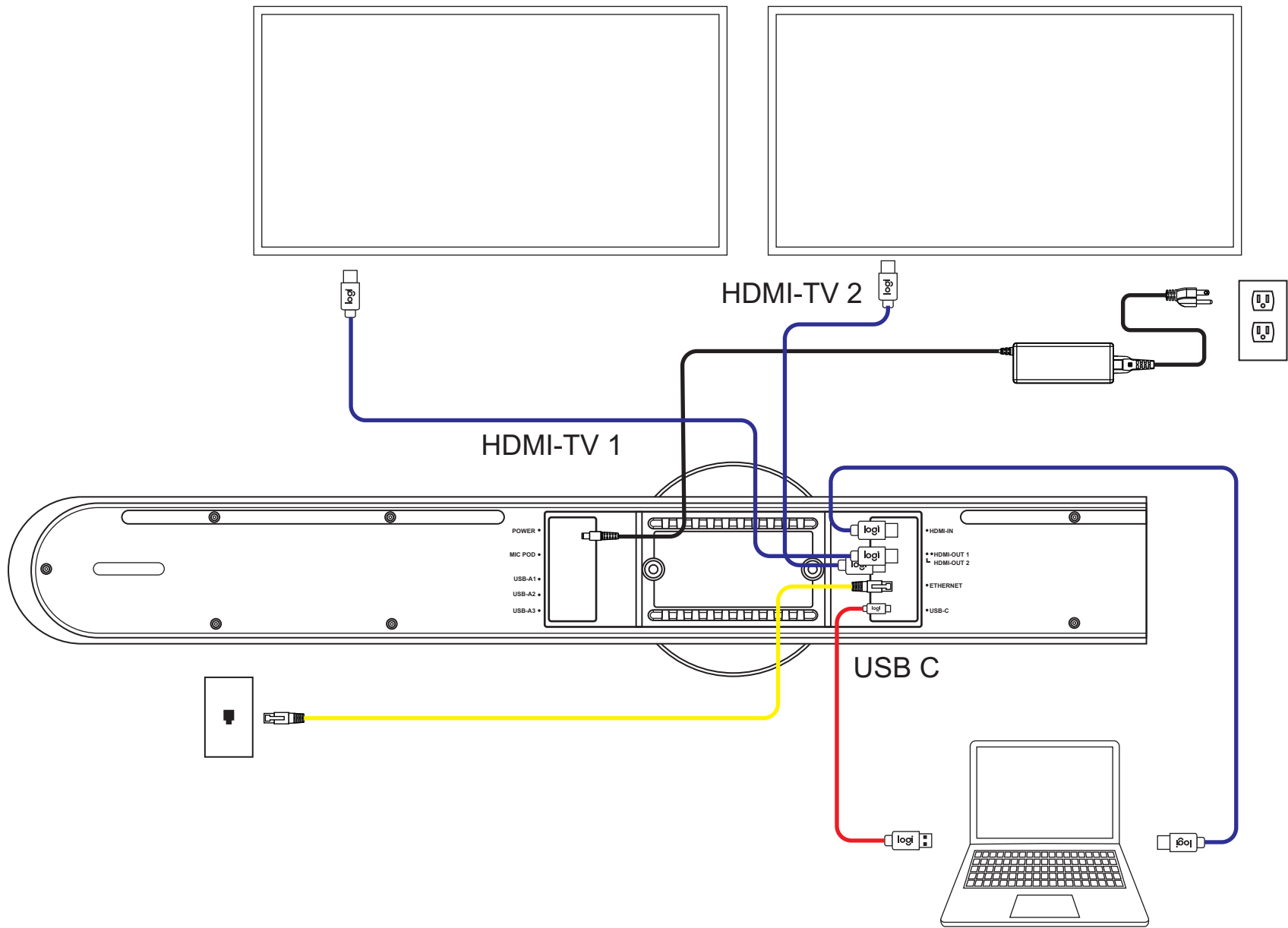
**Rally Bar / Rally Bar Mini
BYOD Mode: Default configuration**



- CAT ■
- USB ■
- HDMI ■
- MIC ■



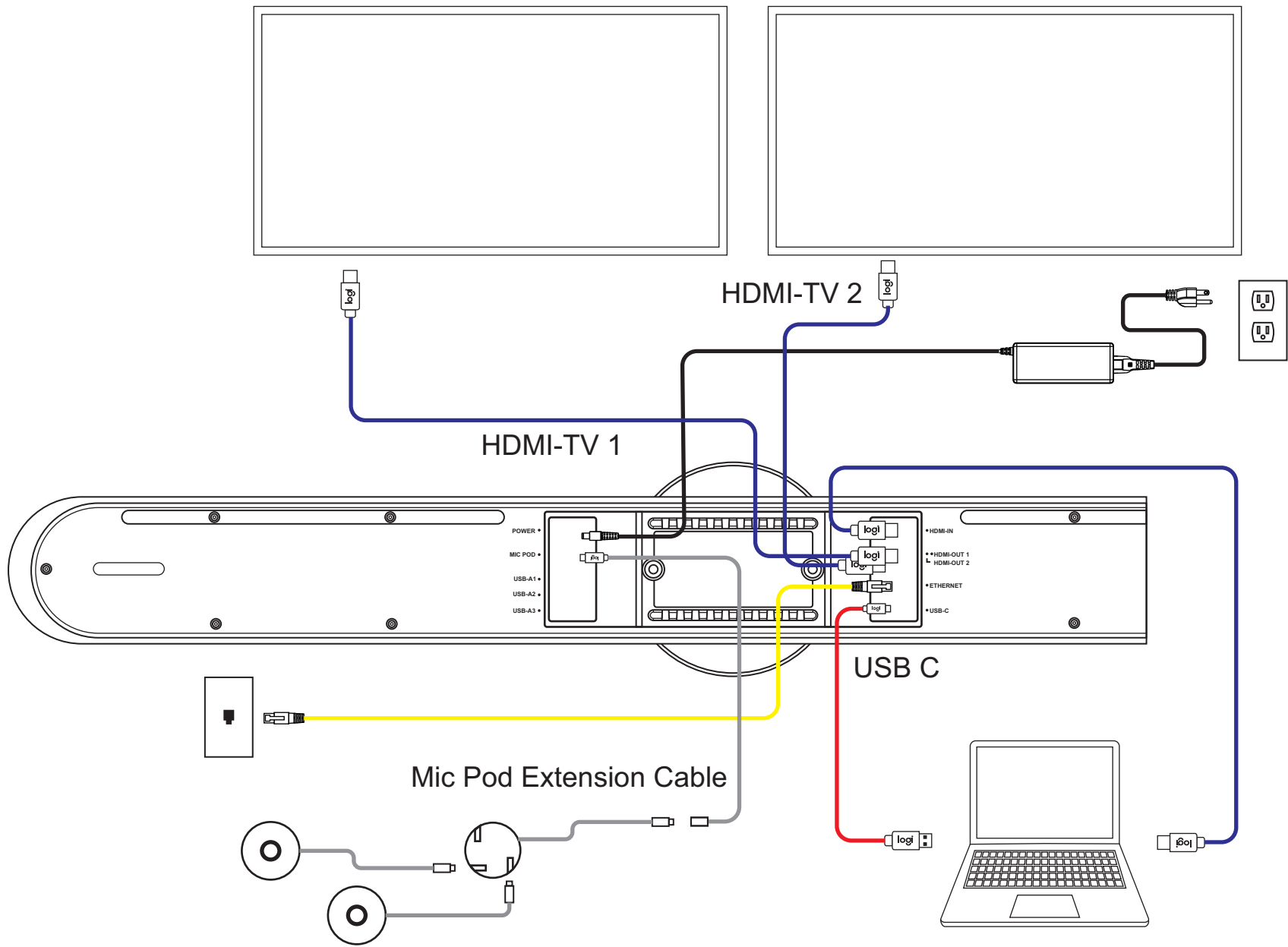
Rally Bar / Rally Bar Mini
BYOD Mode: Rally Bar up to 4 Mic Pods
Rally Bar Mini up to 3 Mic Pods



CAT ■
 USB ■
 HDMI ■



Rally Bar / Rally Bar Mini
BYOD Mode: Dual screens - screens are duplicated



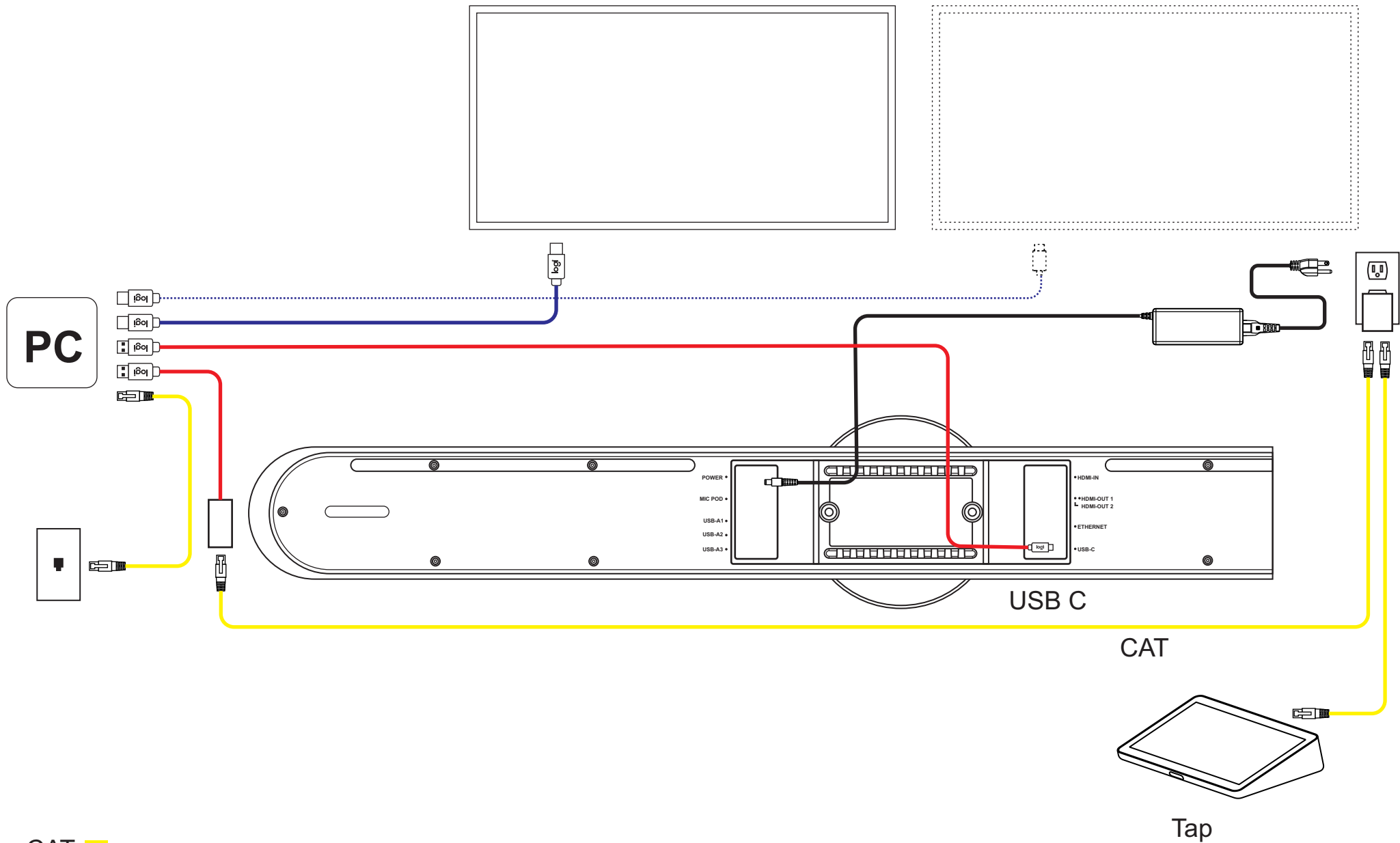
- CAT ■
- USB ■
- HDMI ■
- MIC ■



Rally Bar / Rally Bar Mini
BYOD Mode: Rally Bar max 4 Mic Pods + 2 Mic Pod Hubs /Rally Bar Mini max 3 Mic Pods + 2 Mic Pod Hubs

RALLY BAR & RALLY BAR MINI IN USB MODE

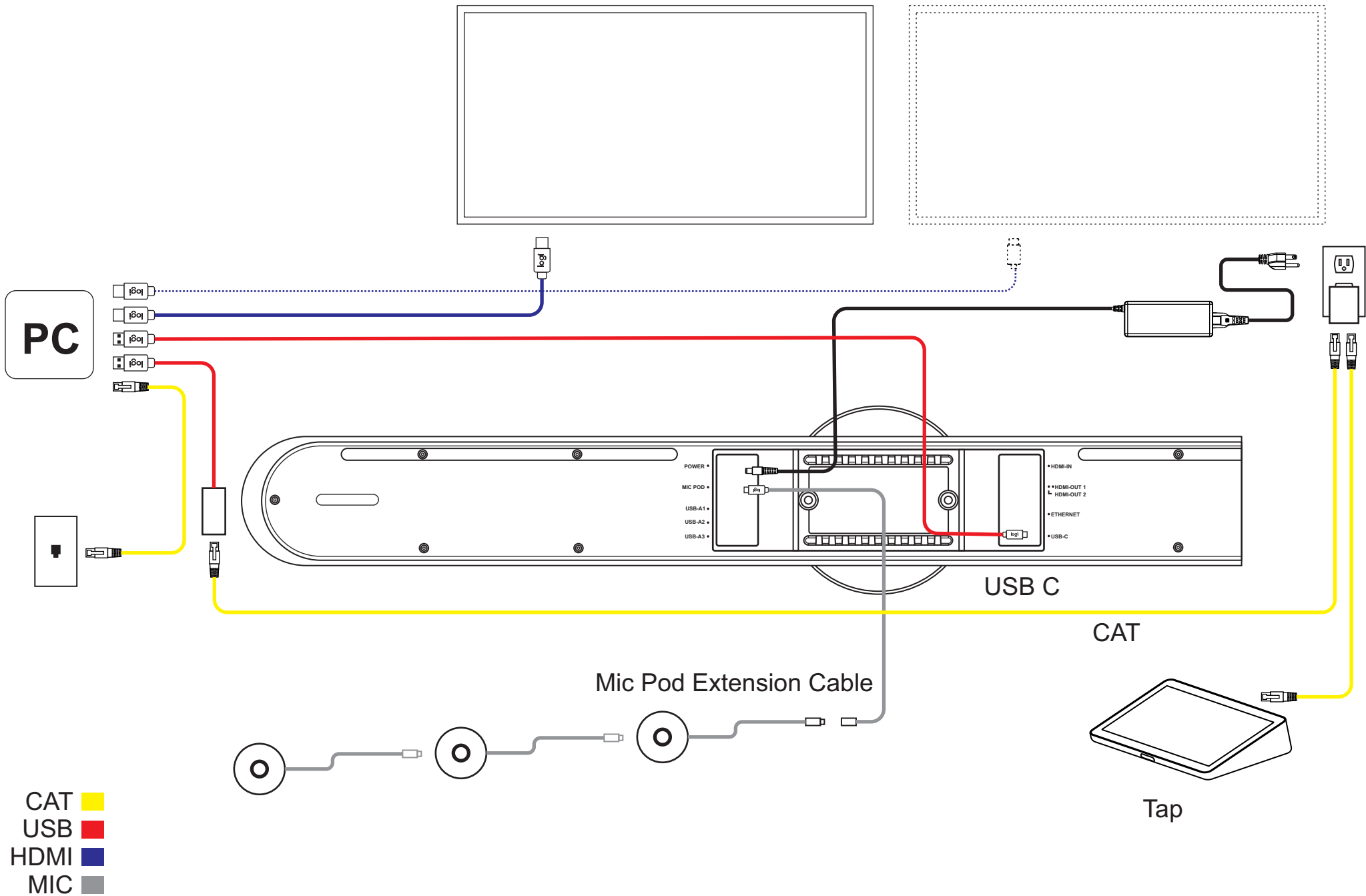
[Table of Contents](#)



CAT ■
 USB ■
 HDMI ■



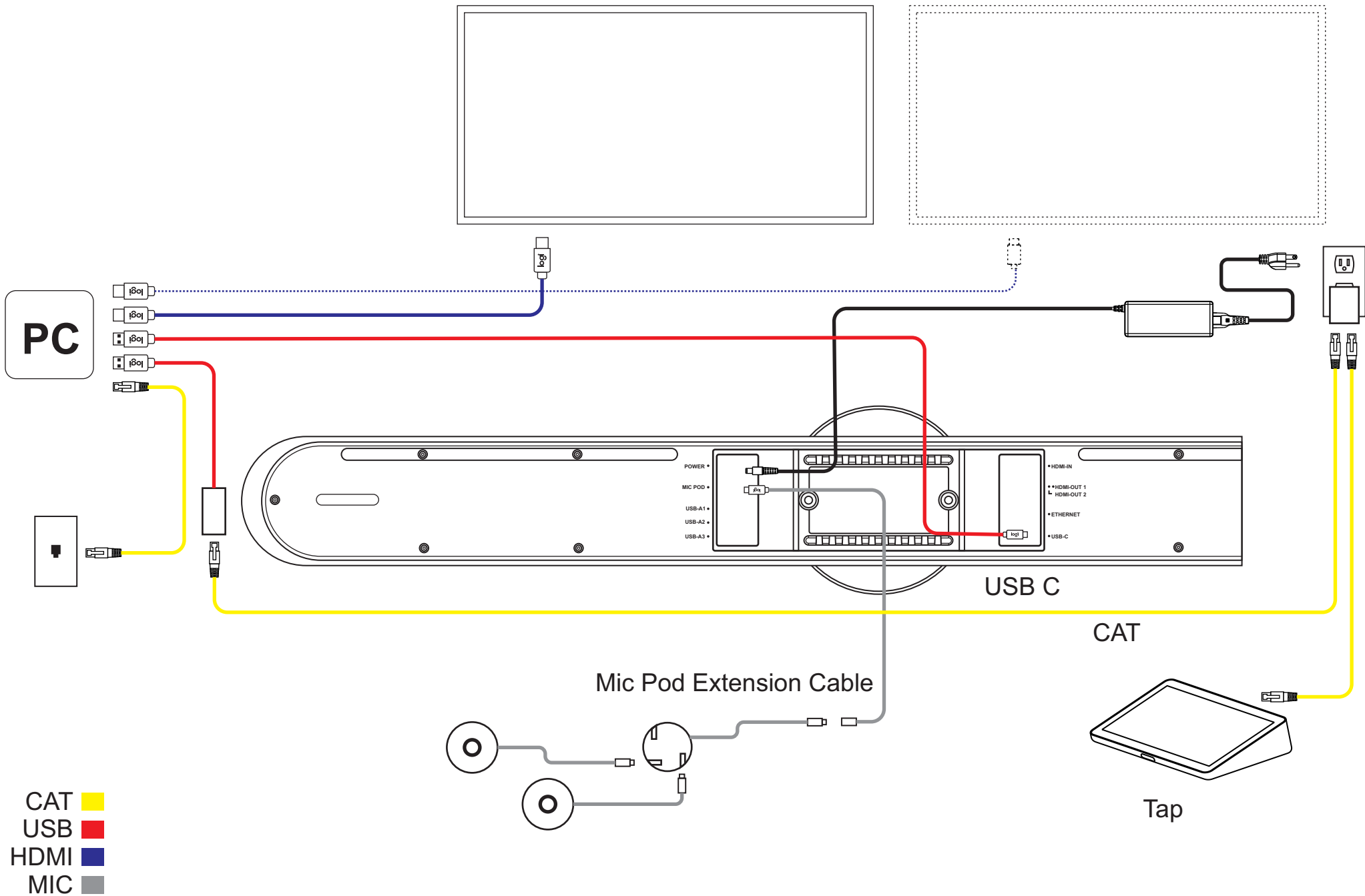
Rally Bar / Rally Bar Mini
USB Mode: Default configuration



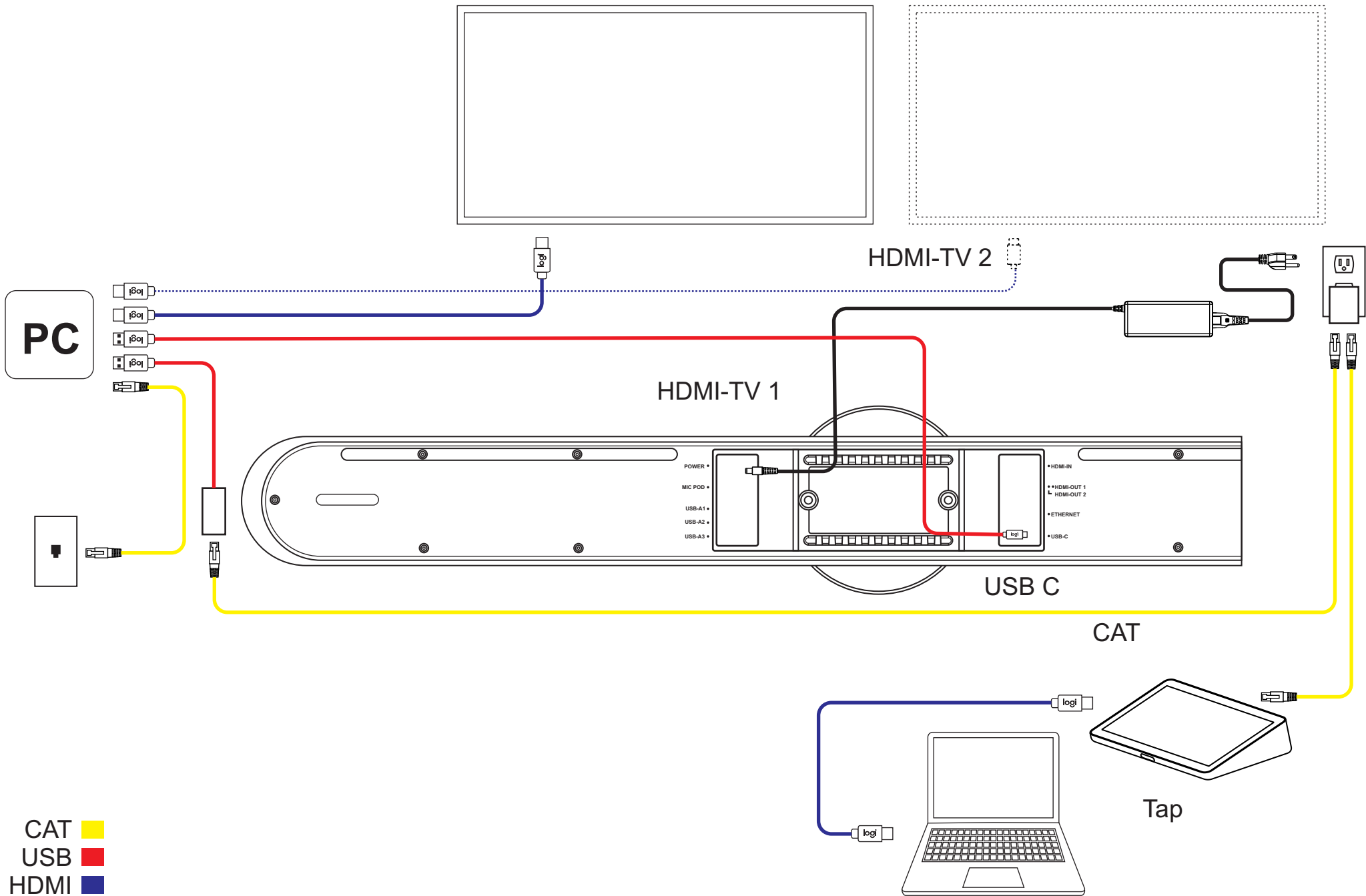
- CAT ■
- USB ■
- HDMI ■
- MIC ■



Rally Bar / Rally Bar Mini
USB Mode: Rally Bar up to 4 mic pods
Rally Bar Mini up to 3 mic pods



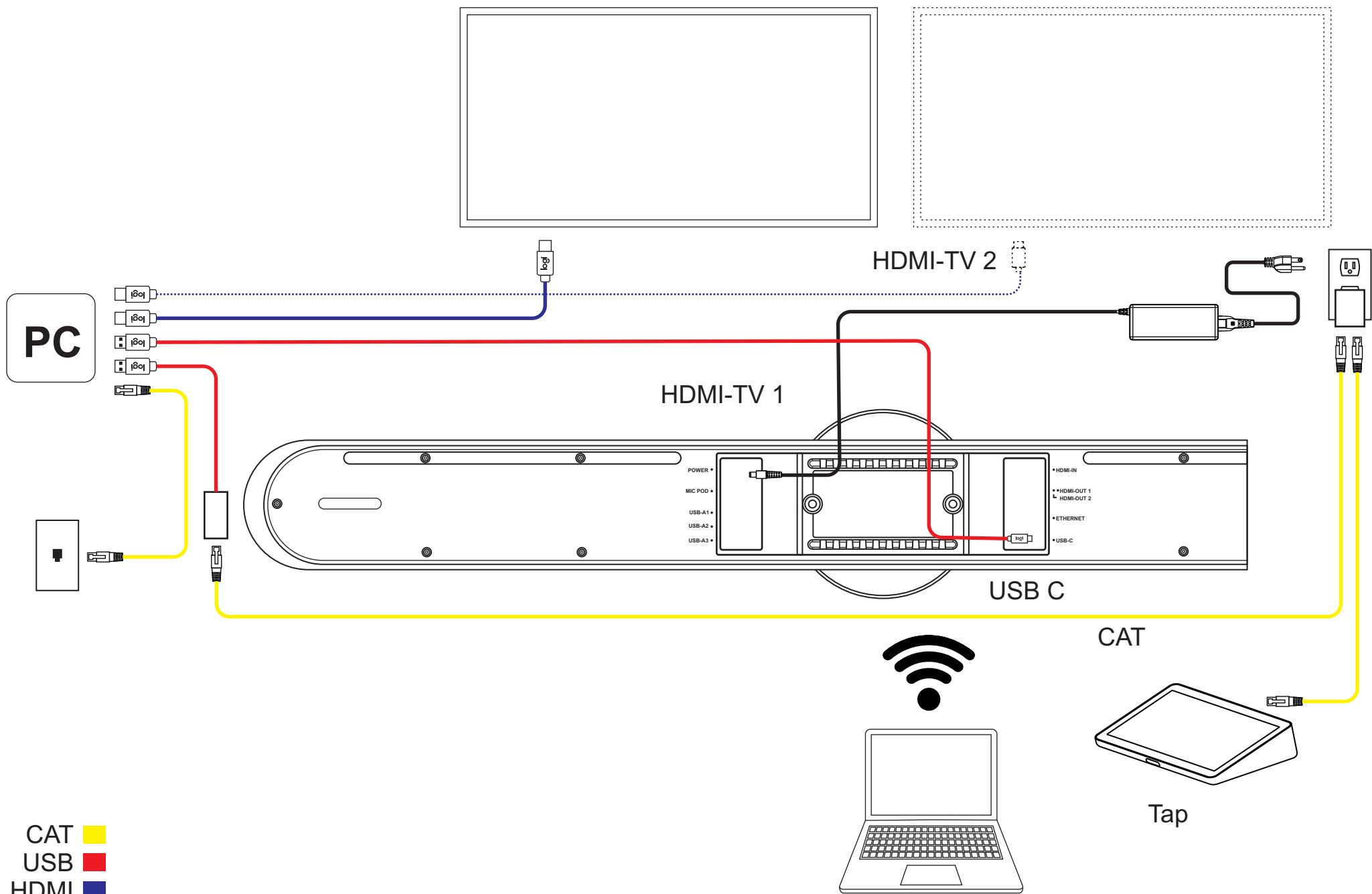
Rally Bar / Rally Bar Mini
USB Mode: Rally Bar max 4 Mic Pods + 2 Mic Pod Hubs /Rally Bar Mini max 3 Mic Pods + 2 Mic Pod Hubs



- CAT ■
- USB ■
- HDMI ■



Rally Bar / Rally Bar Mini
USB Mode: Wired screen share (VC application dependent)



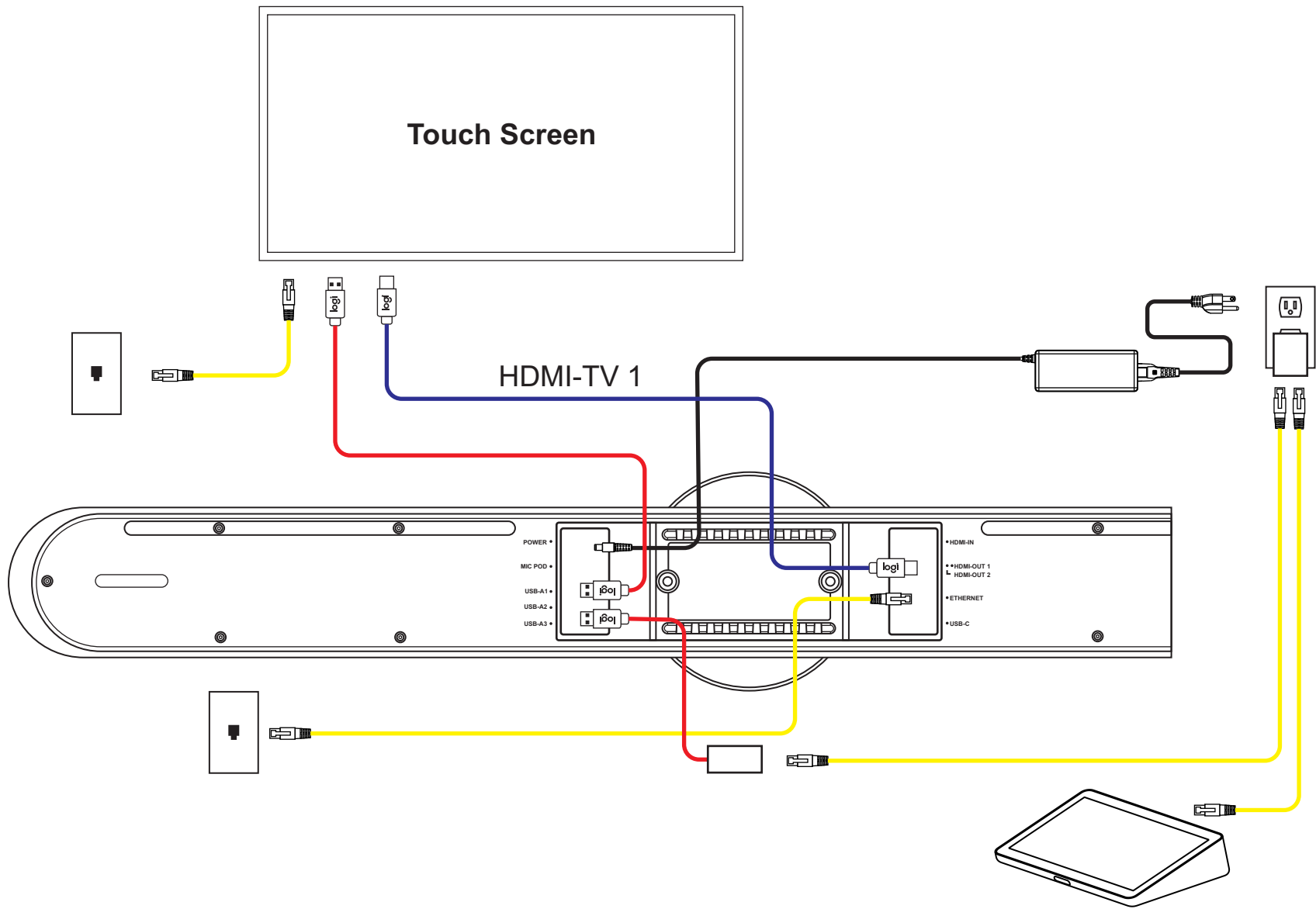
CAT ■
 USB ■
 HDMI ■



Rally Bar / Rally Bar Mini
USB Mode: Wireless screen share through VC application (VC application dependent)

RALLY BAR, RALLY BAR MINI, & ROOMMATE: TEAMS ON ANDROID WITH INTERACTIVE TOUCH SCREENS

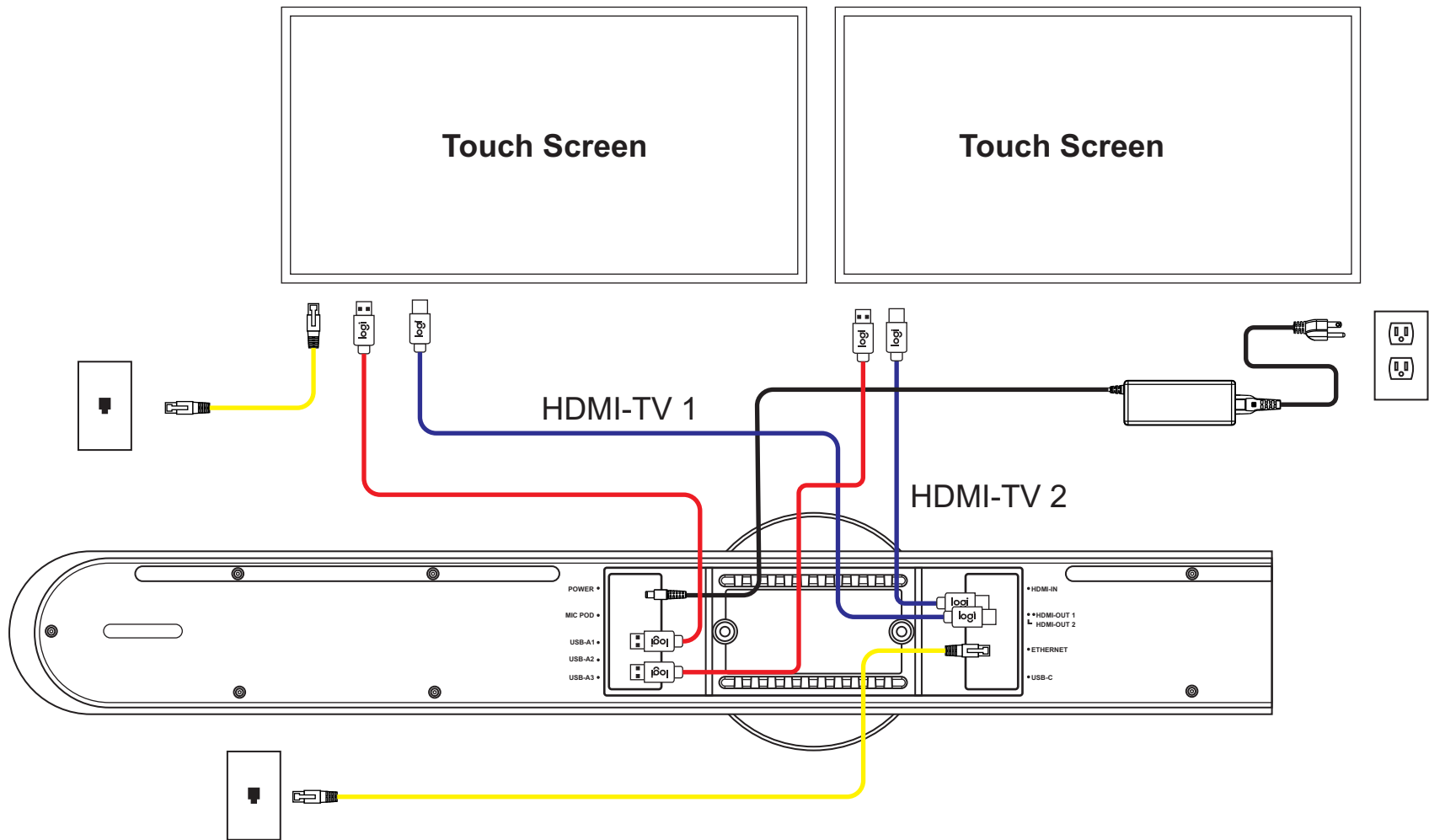
[Table of Contents](#)



CAT ■
 USB ■
 HDMI ■



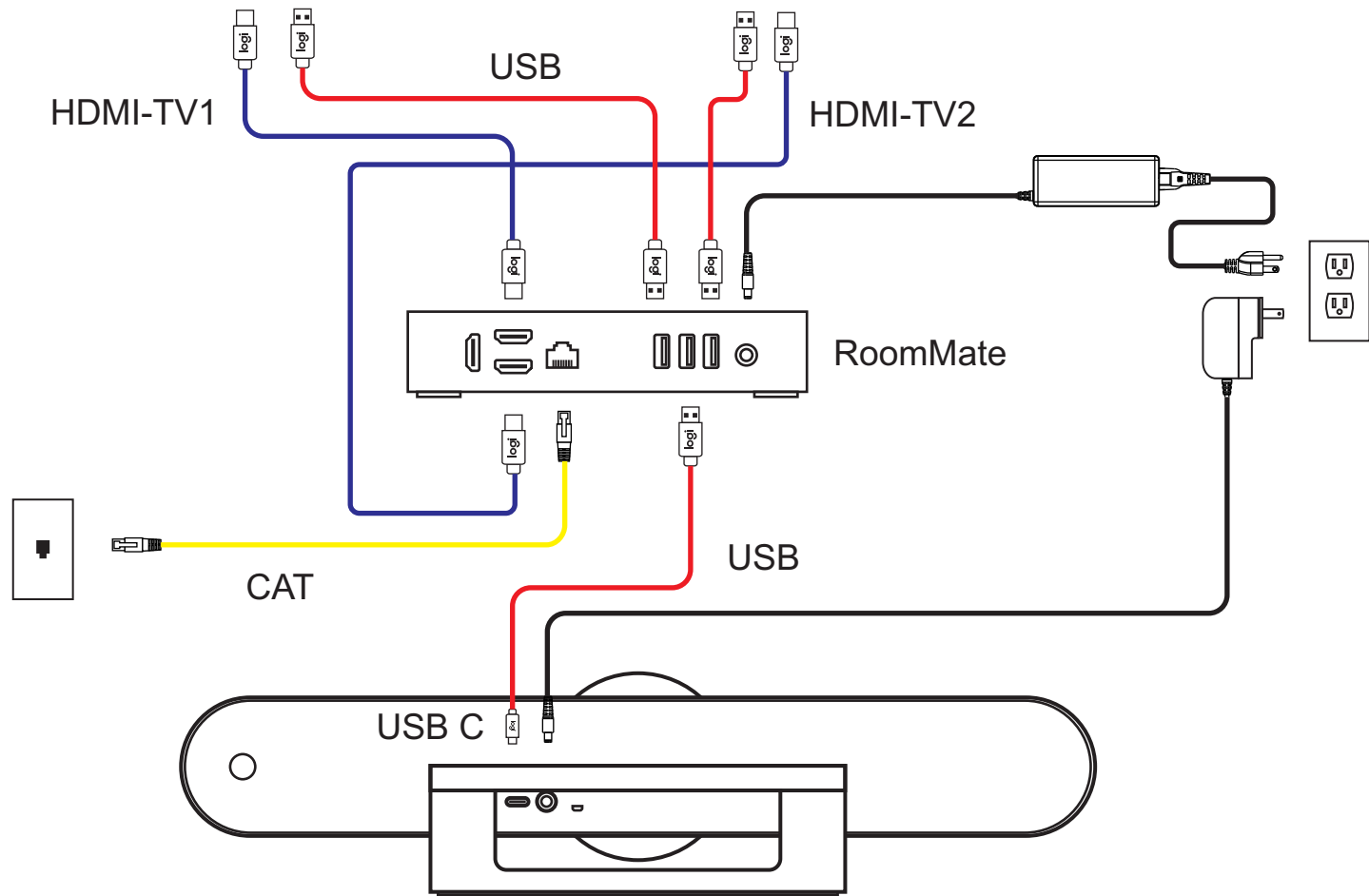
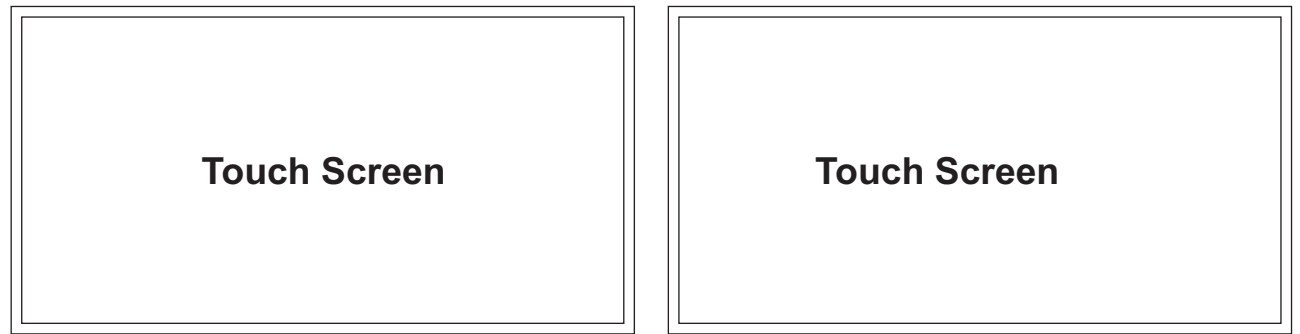
Rally Bar / Rally Bar Mini
Teams on Android: Touch screen
CollabOS 1.12 or later
Tap



CAT ■
 USB ■
 HDMI ■



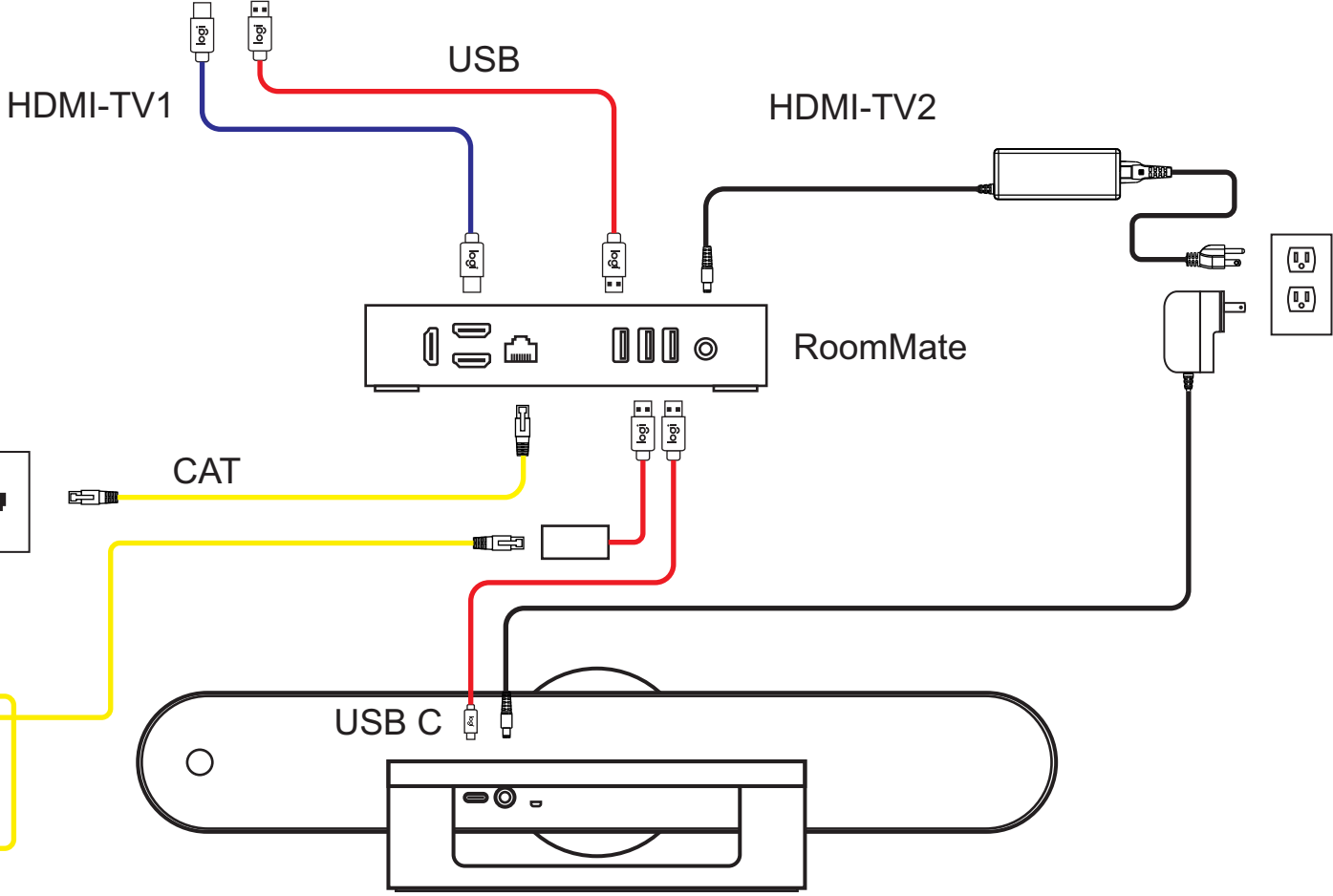
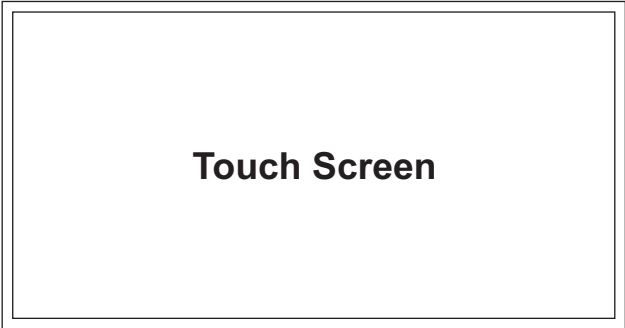
Rally Bar / Rally Bar Mini
Teams on Android: Touch screen
CollabOS 1.12 or later



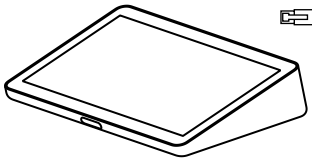
CAT ■
 USB ■
 HDMI ■



**RoomMate and MeetUp
 Teams on Android: Touch screen**



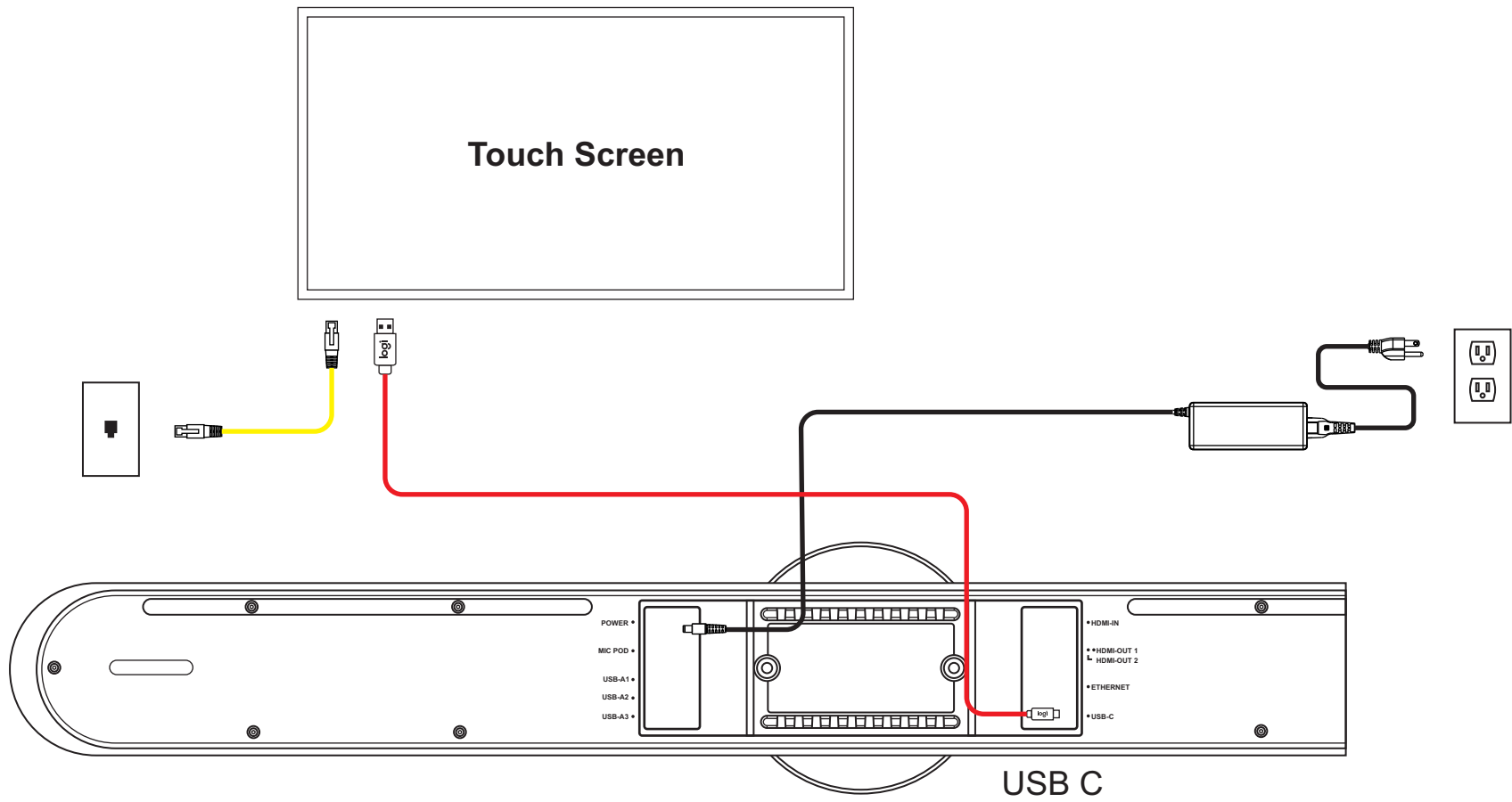
CAT ■
 USB ■
 HDMI ■



**RoomMate and MeetUp
 Teams on Android: Touch screen
 Tap**

RALLY BAR, RALLY BAR MINI, RALLY BAR HUDDLE & ROOMMATE WITH INTERACTIVE TOUCH SCREENS

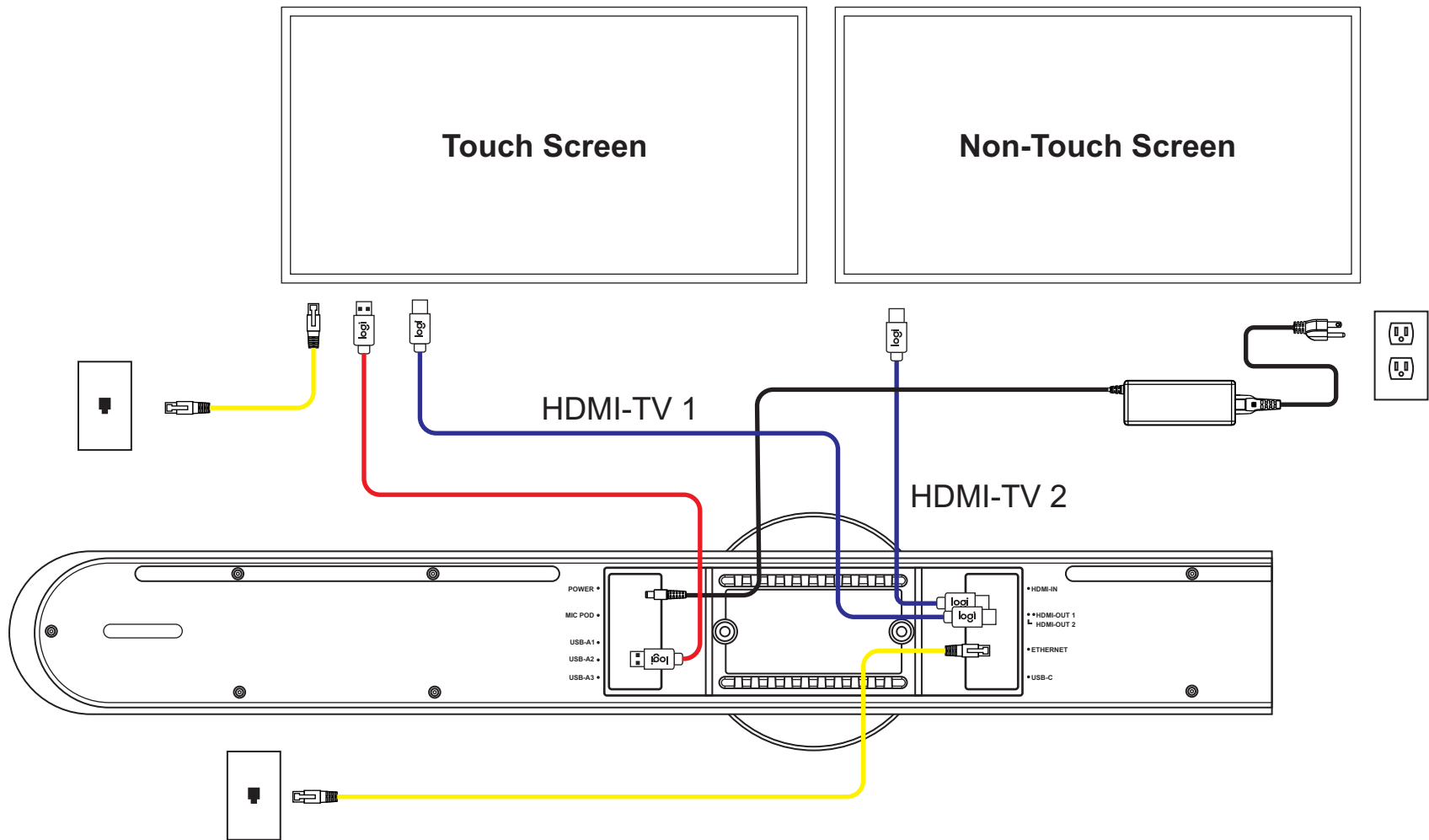
[Table of Contents](#)



CAT ■
 USB ■
 HDMI ■



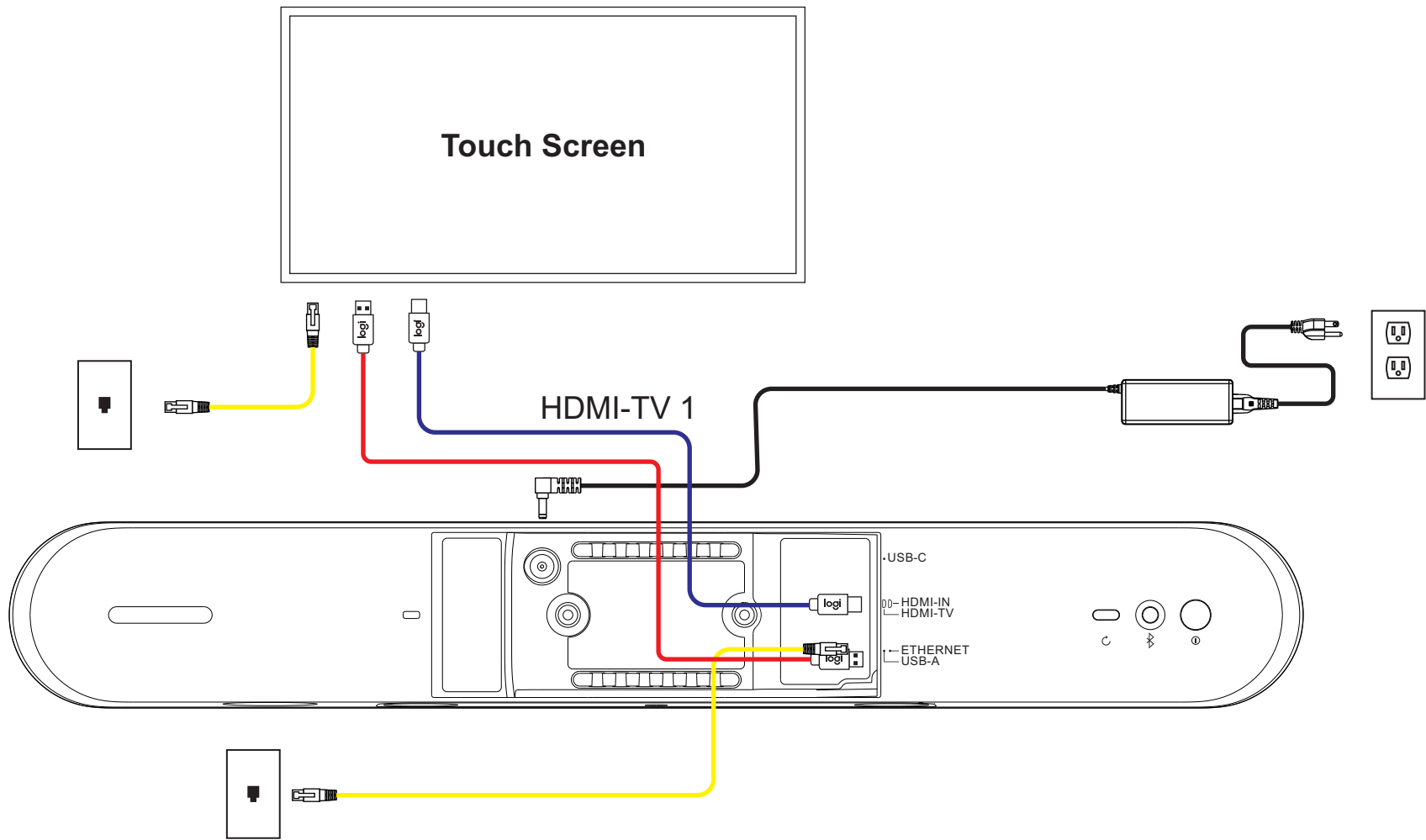
Rally Bar / Rally Bar Mini
USB Mode: Touch panel with built-in computer
Tap USB not supported



CAT ■
 USB ■
 HDMI ■



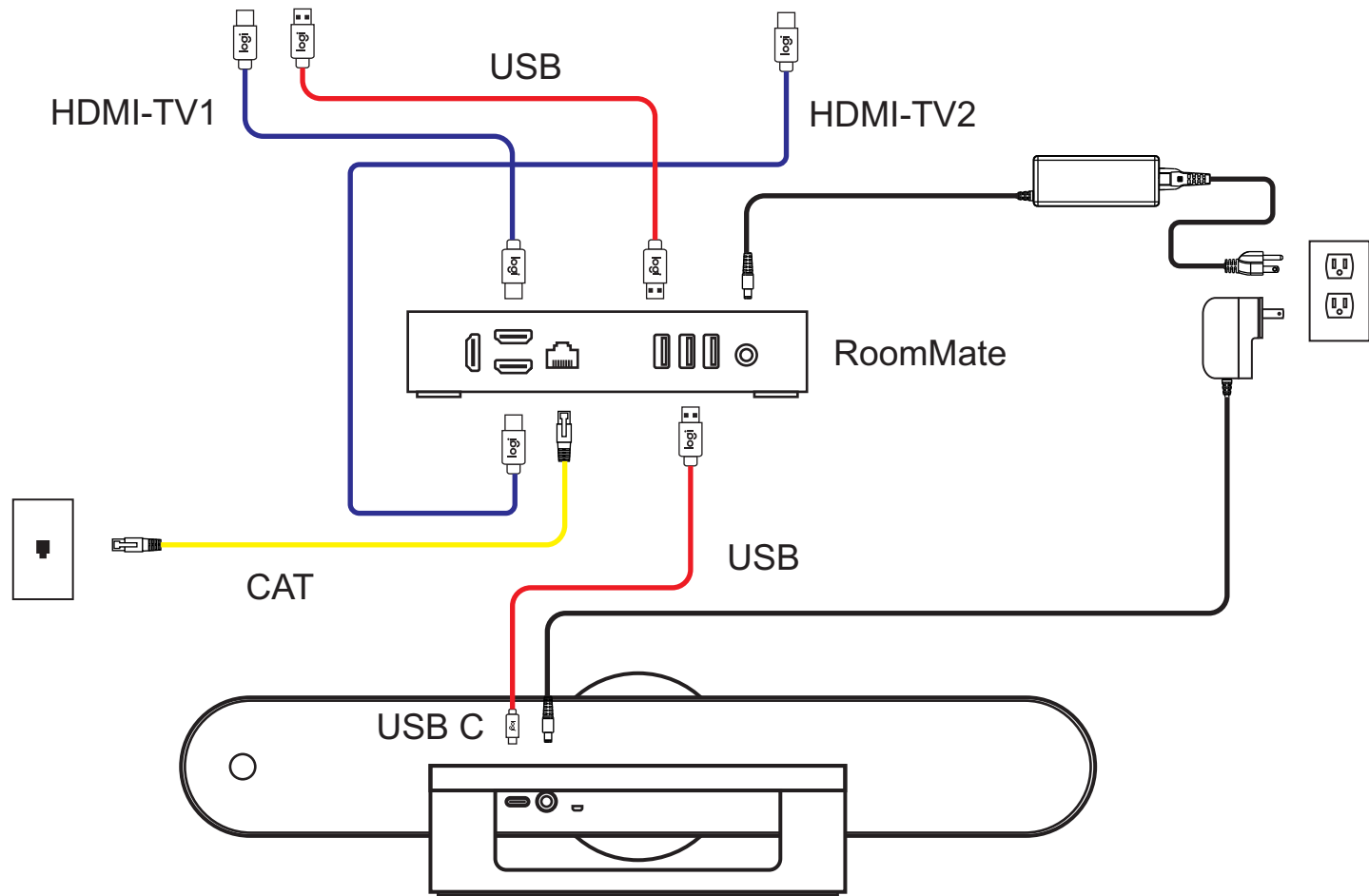
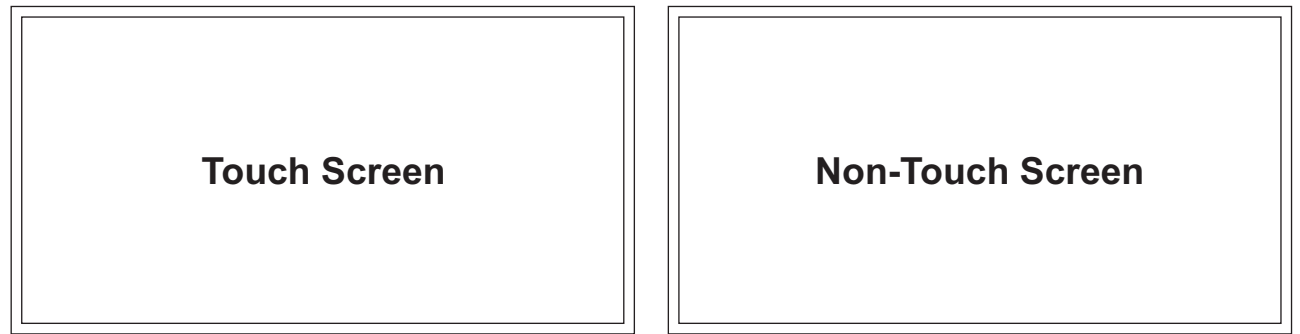
**Rally Bar / Rally Bar Mini
Appliance Mode: Touch screen**



CAT ■
 USB ■
 HDMI ■



Rally Bar Huddle
Appliance Mode: Touch screen



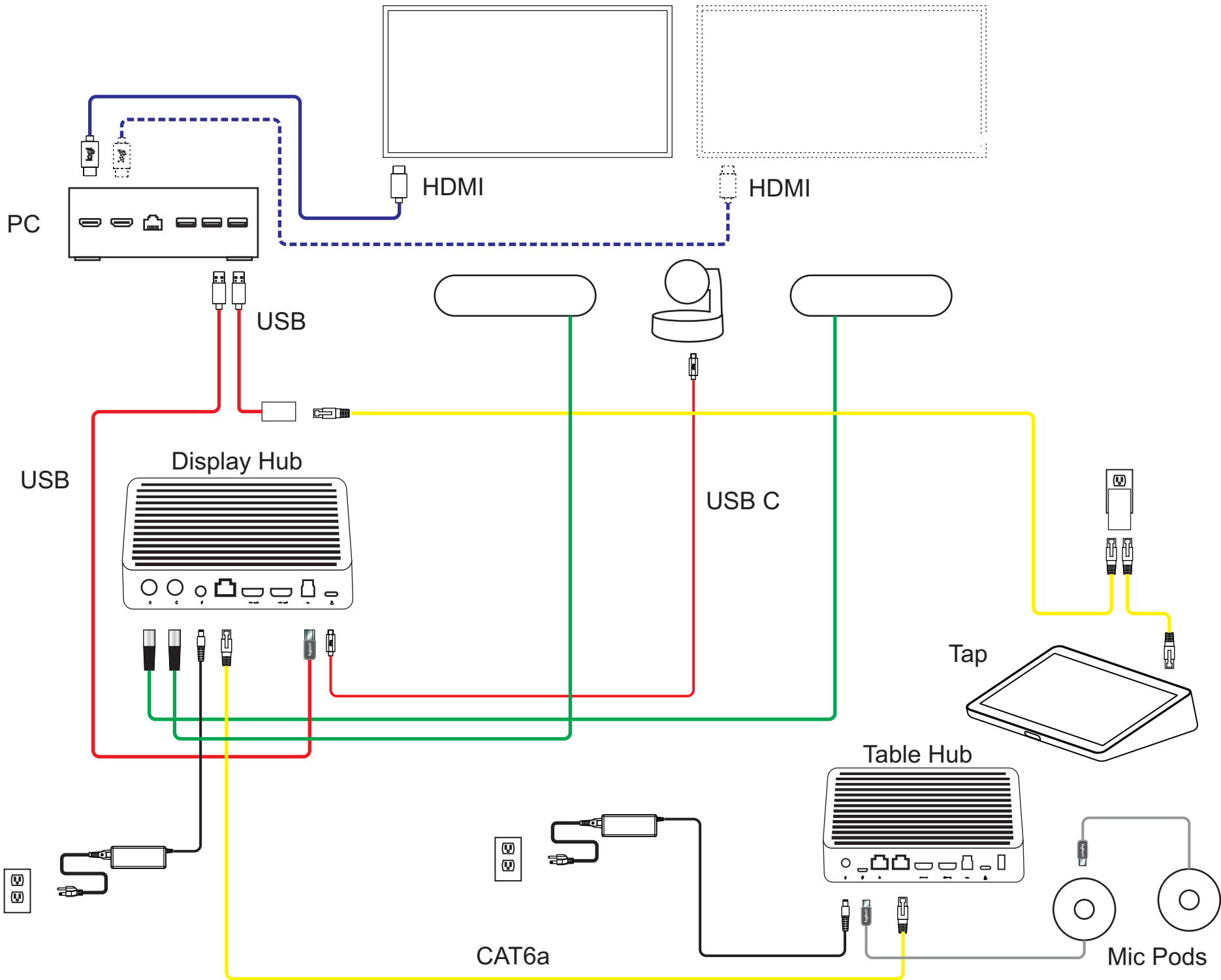
CAT ■
 USB ■
 HDMI ■



**RoomMate and MeetUp
 Appliance Mode: Touch screen**

RALLY & RALLY PLUS

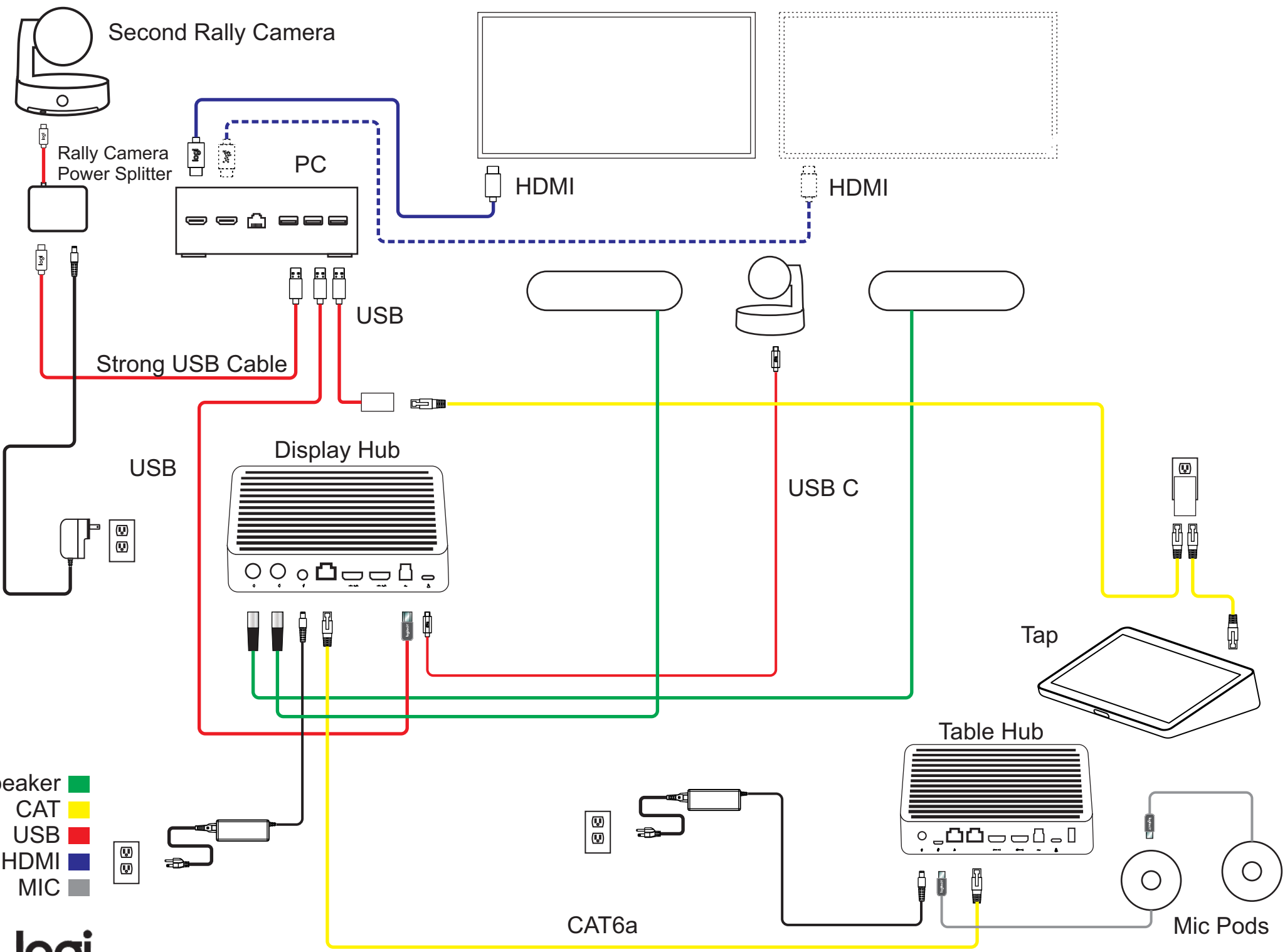
[Table of Contents](#)



- Speaker ■
- CAT ■
- USB ■
- HDMI ■
- MIC ■



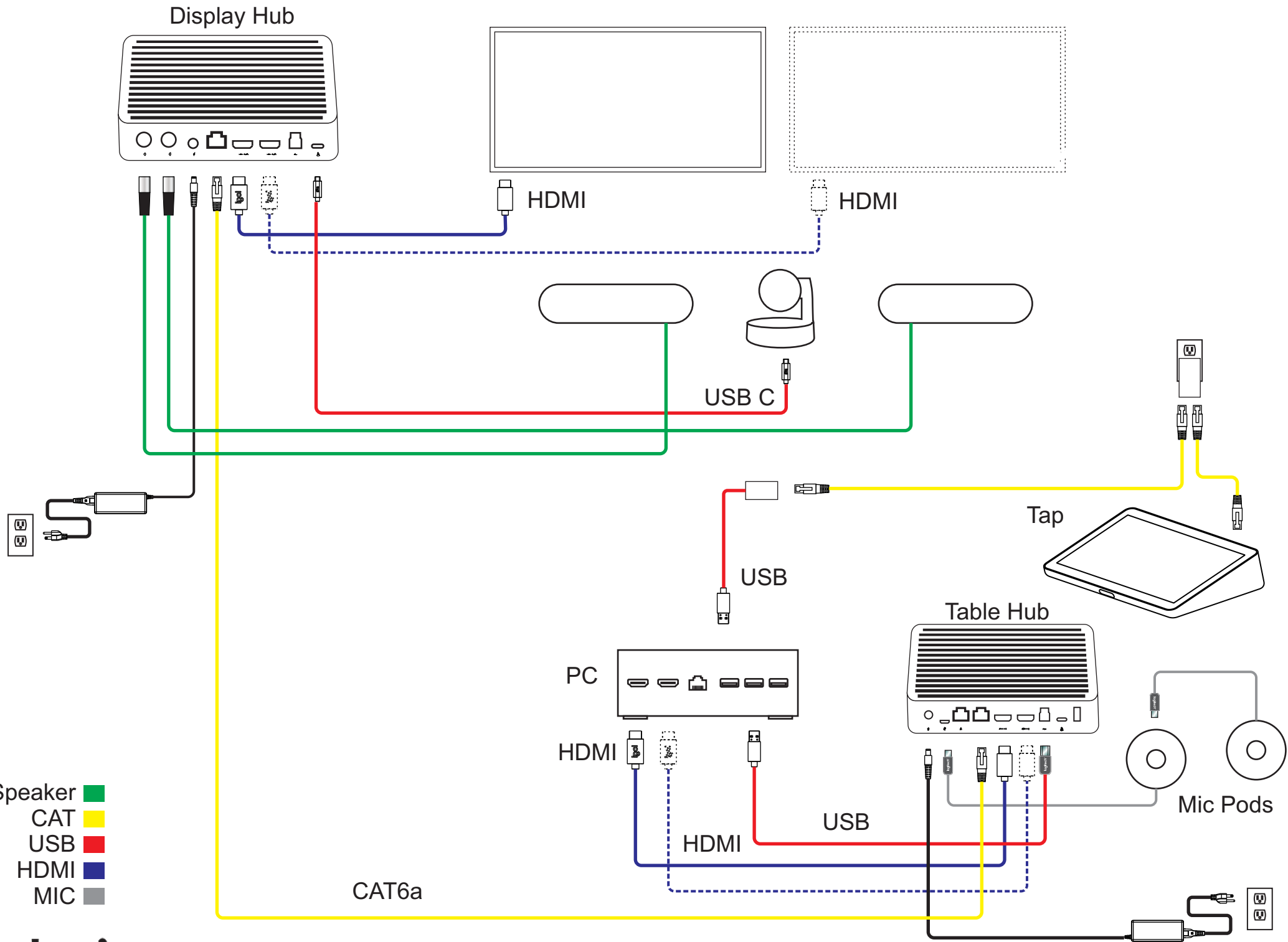
Rally Plus: compute at Display Hub. Up to 7 Mic Pod and 7 Mic Pod Hubs



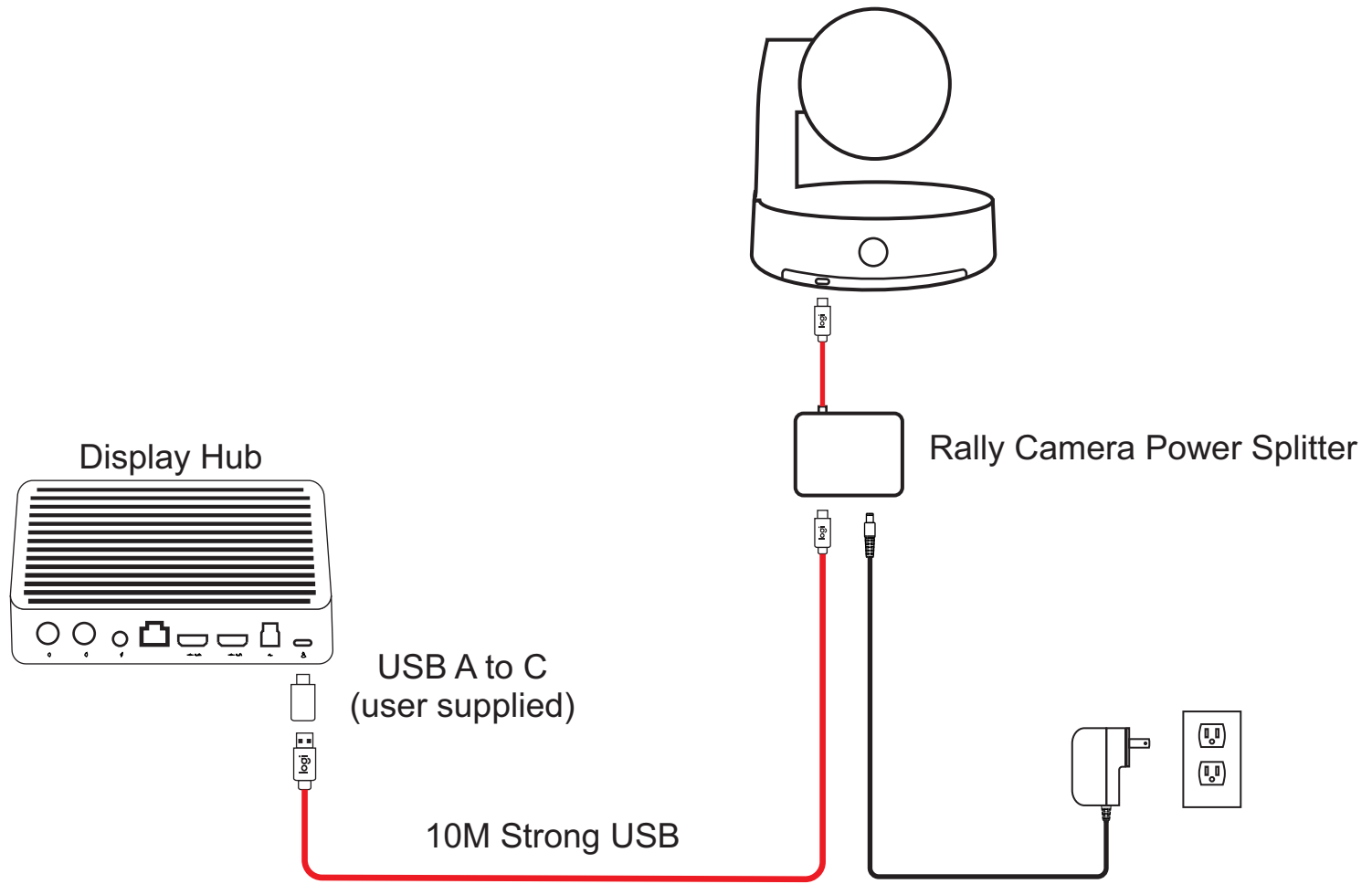
- Speaker ■
- CAT ■
- USB ■
- HDMI ■
- MIC ■



Rally Plus with second Rally Camera



Rally Plus: compute at Table Hub. Up to 7 Mic Pod and 7 Mic Pod Hubs.



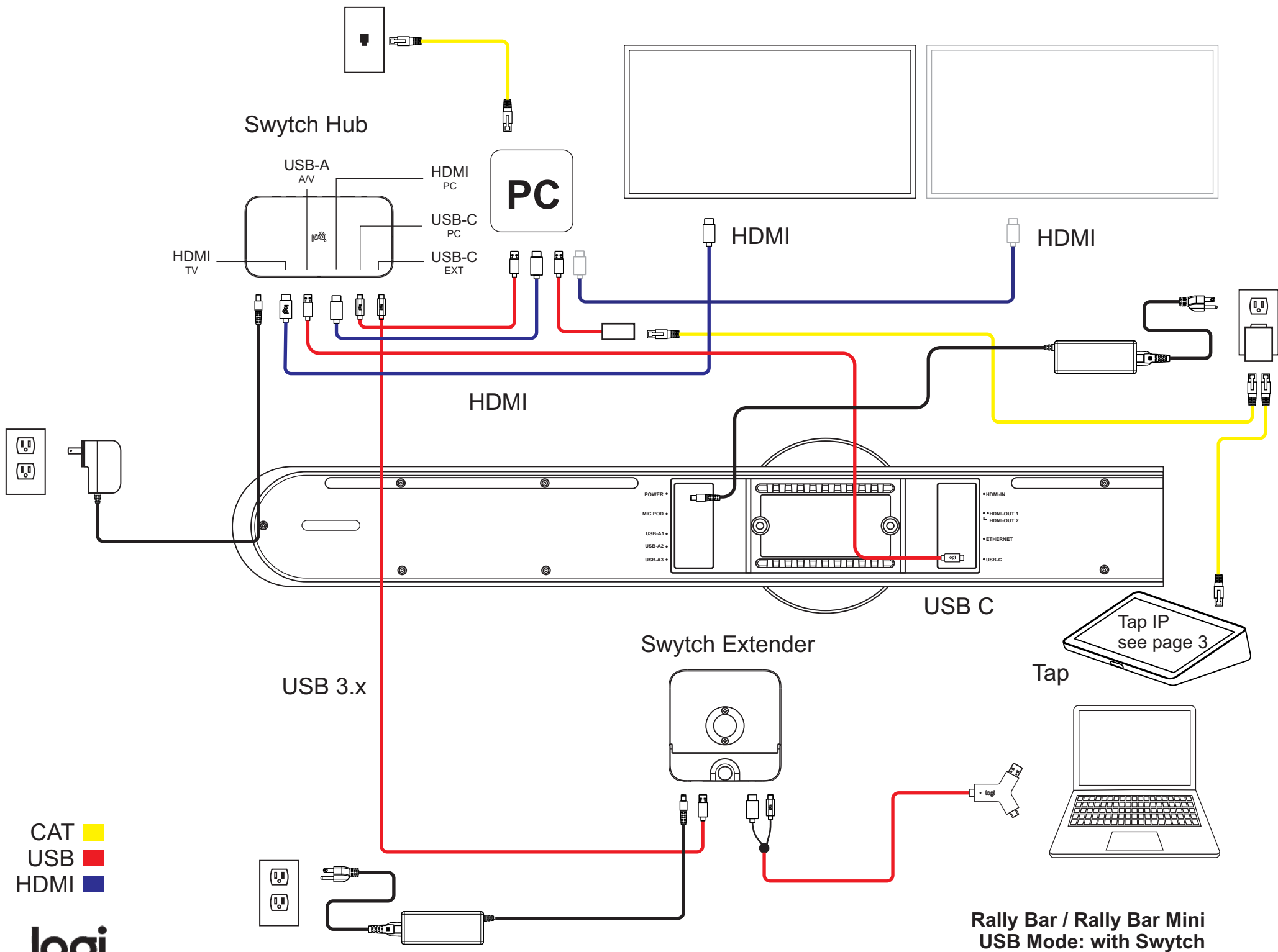
USB ■

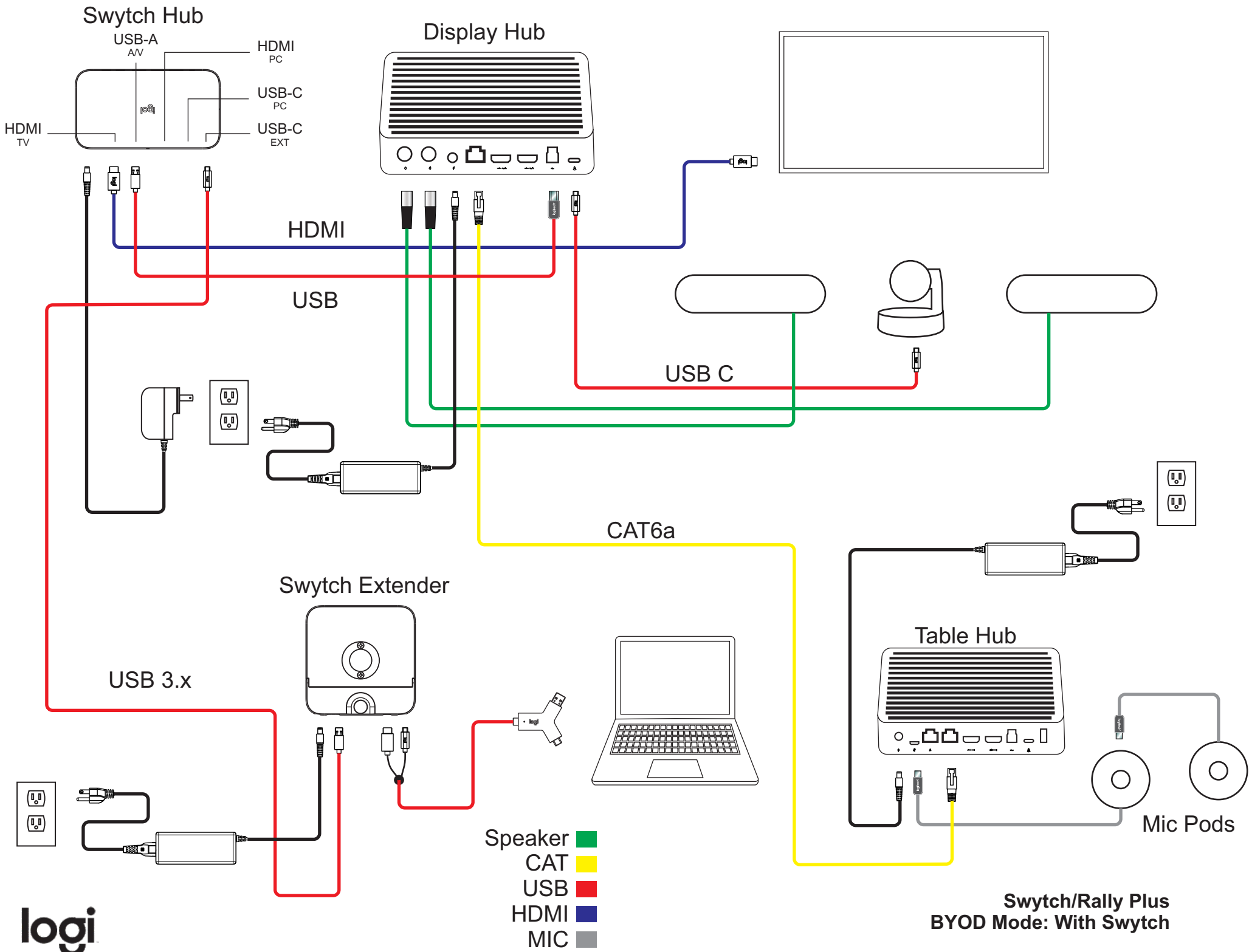


Rally Plus: Extending the USB cable between the camera and Display Hub
Please note: this configuration does not work with Swytch

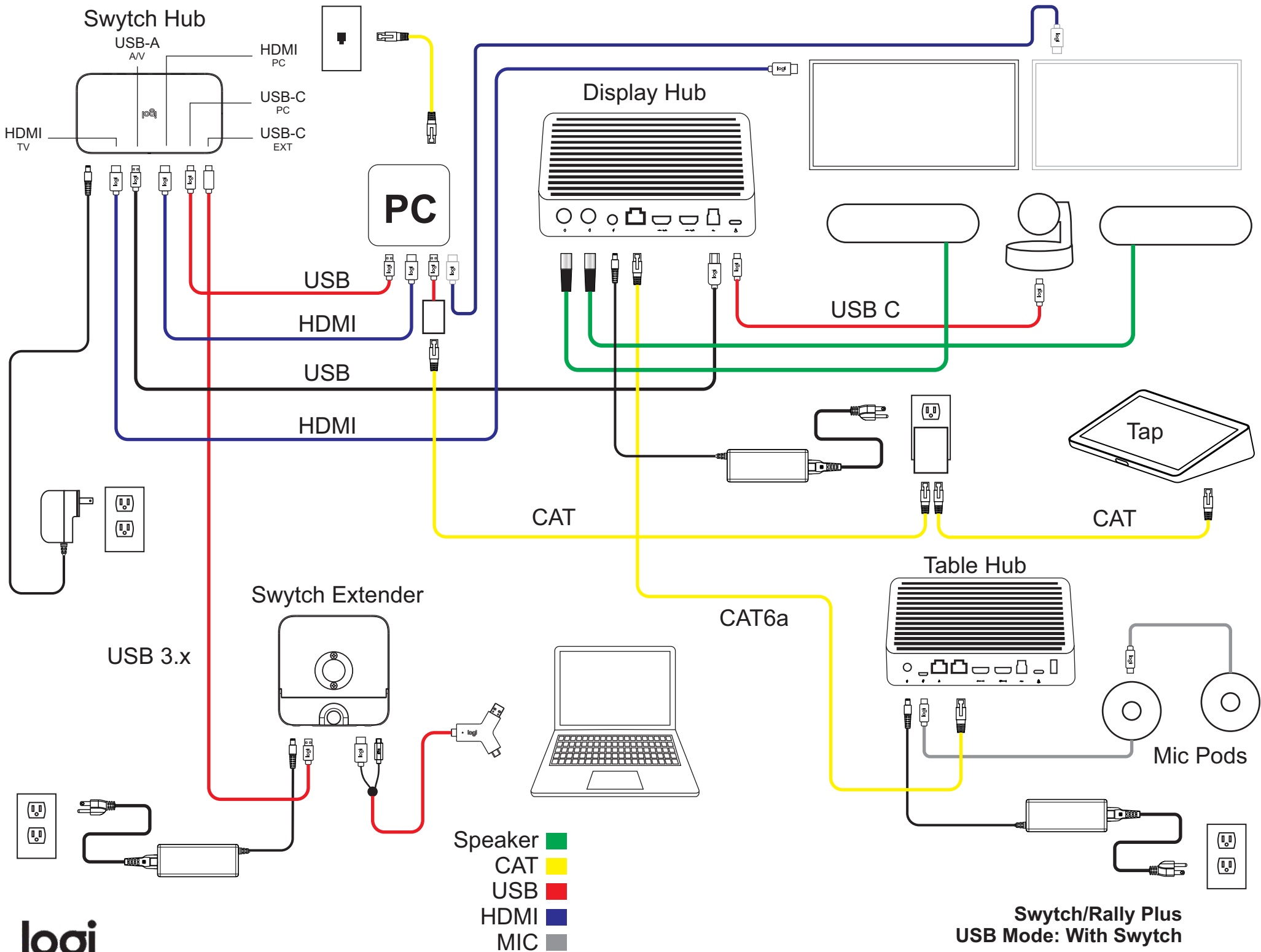
SWYTCH

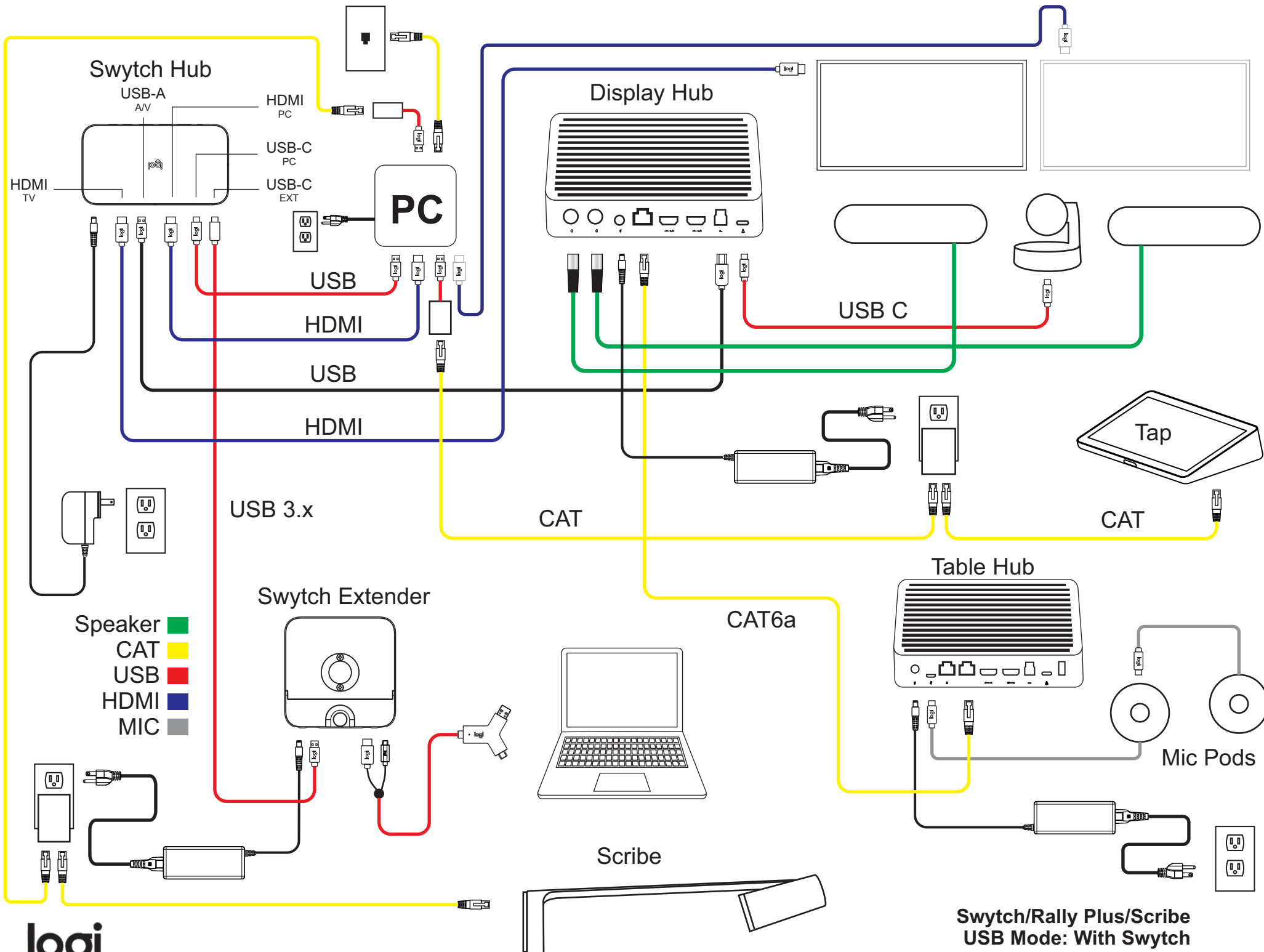
[Table of Contents](#)

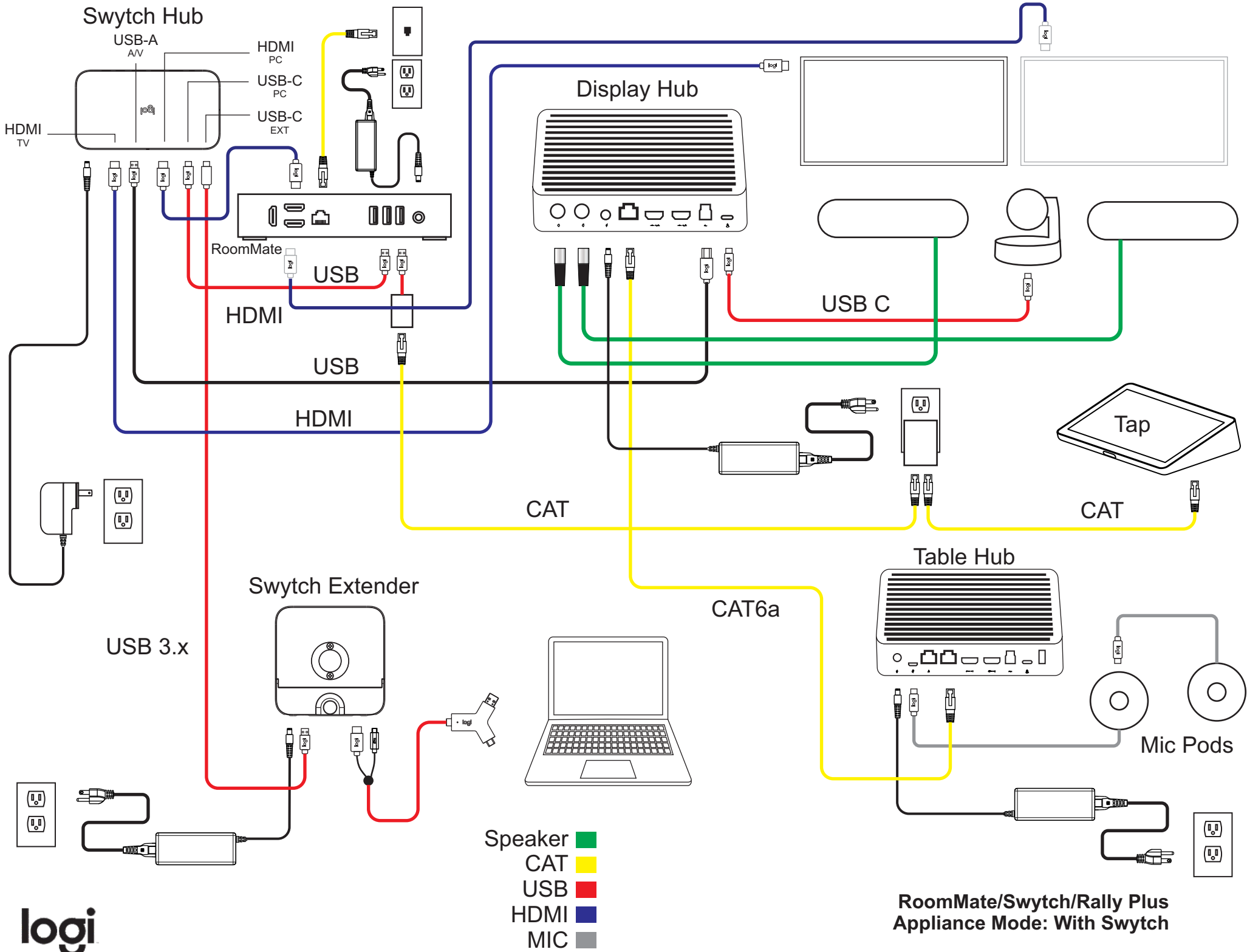


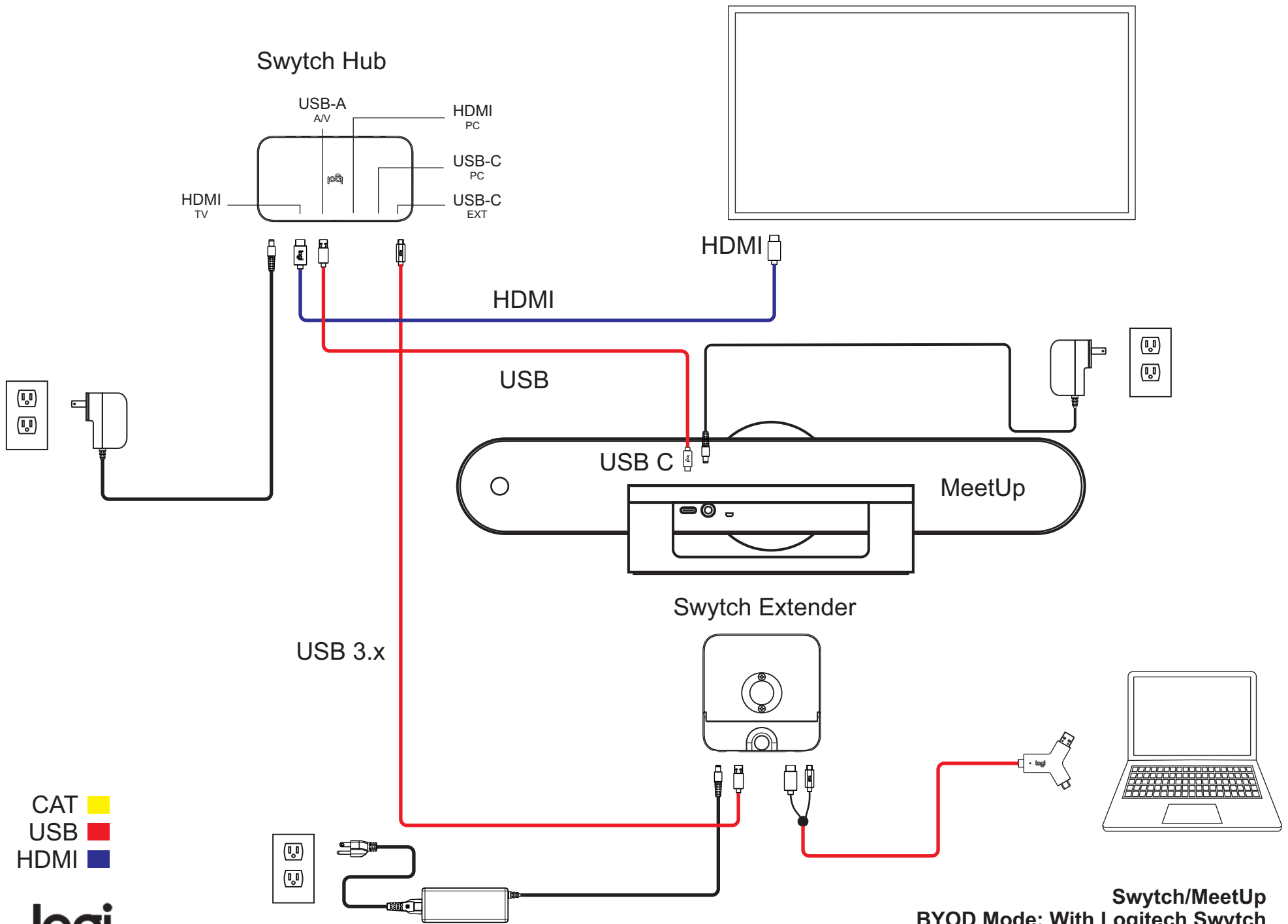


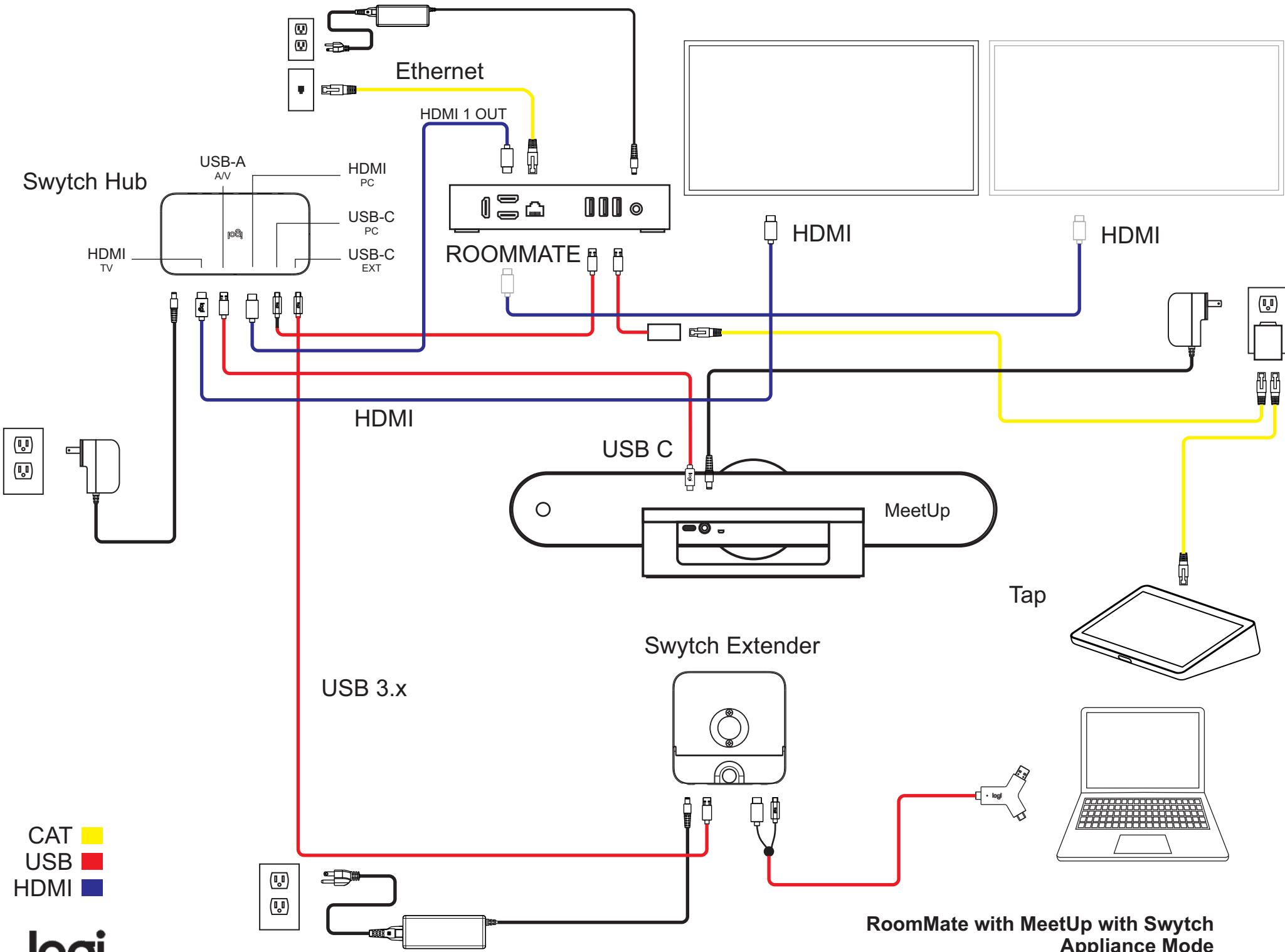
**Switch/Rally Plus
BYOD Mode: With Switch**







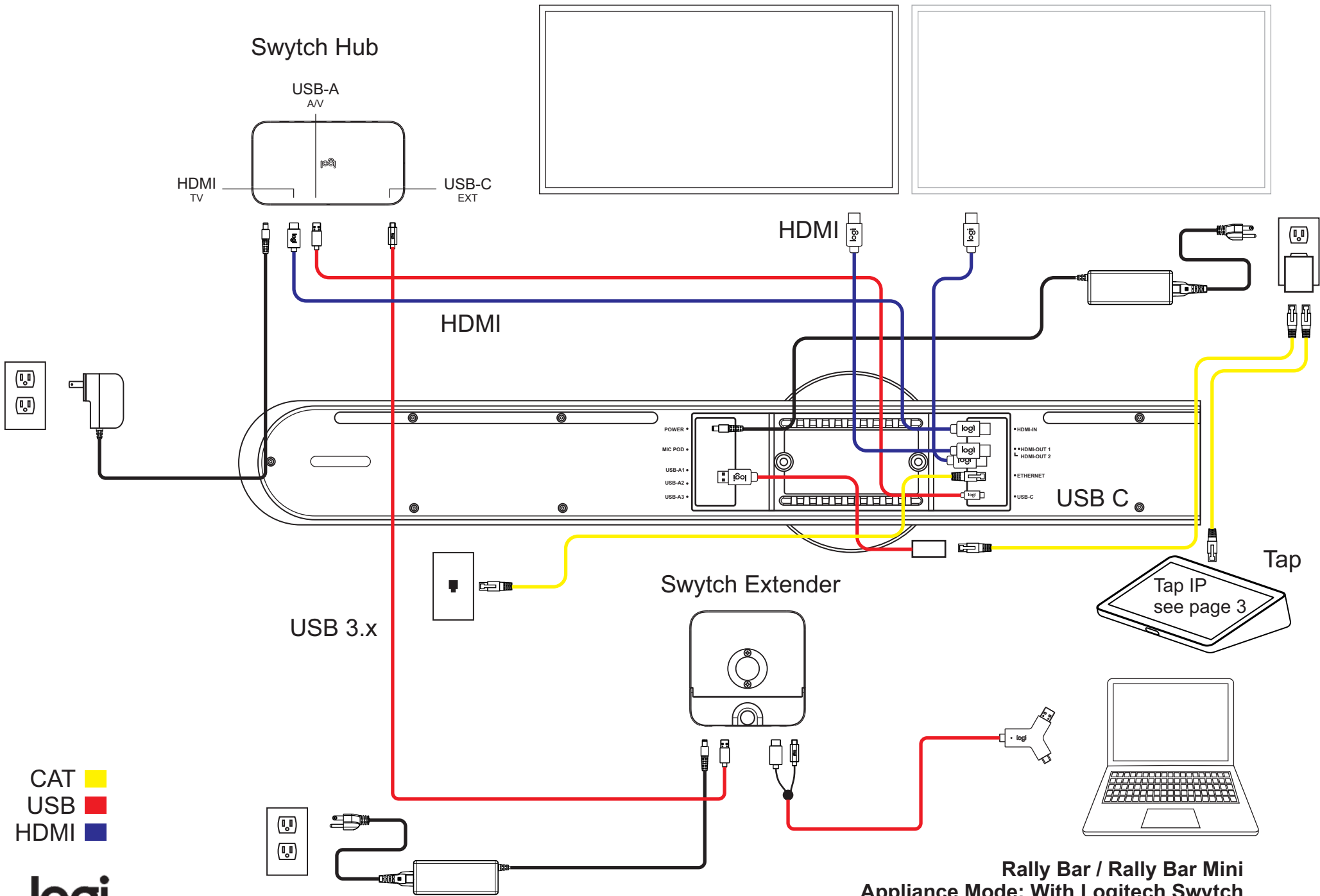


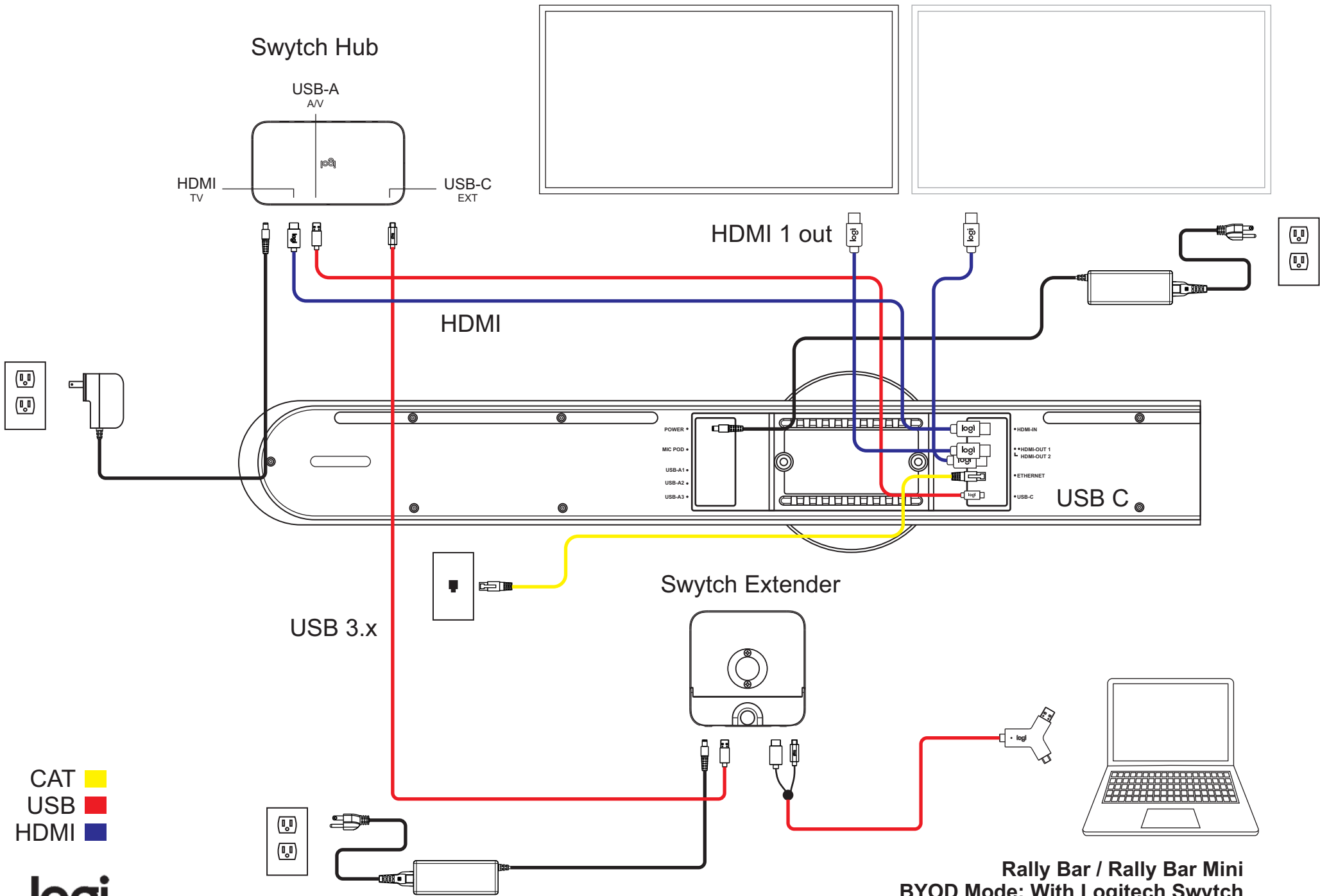


CAT ■
 USB ■
 HDMI ■



RoomMate with MeetUp with Swytch Appliance Mode





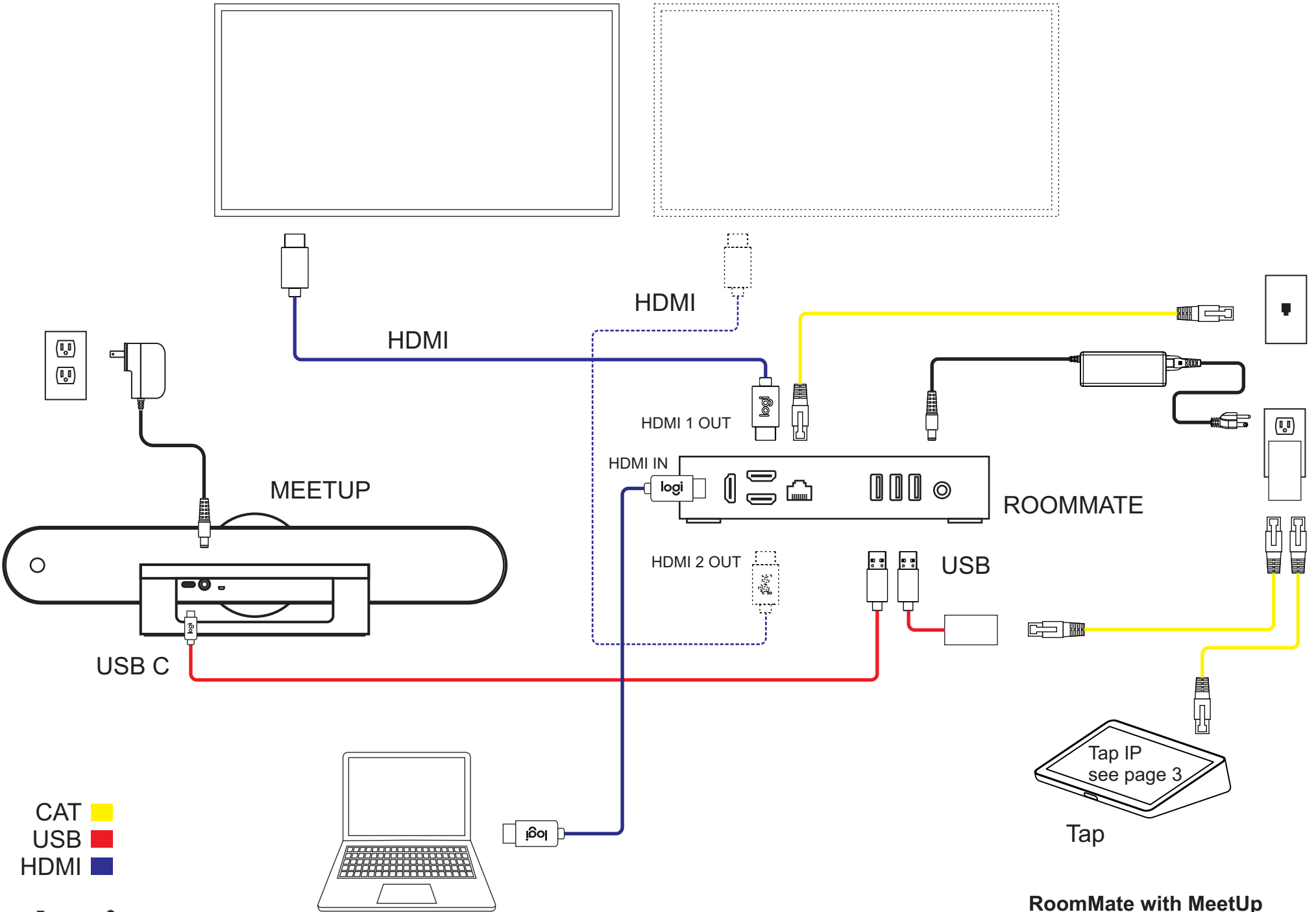
CAT ■
 USB ■
 HDMI ■



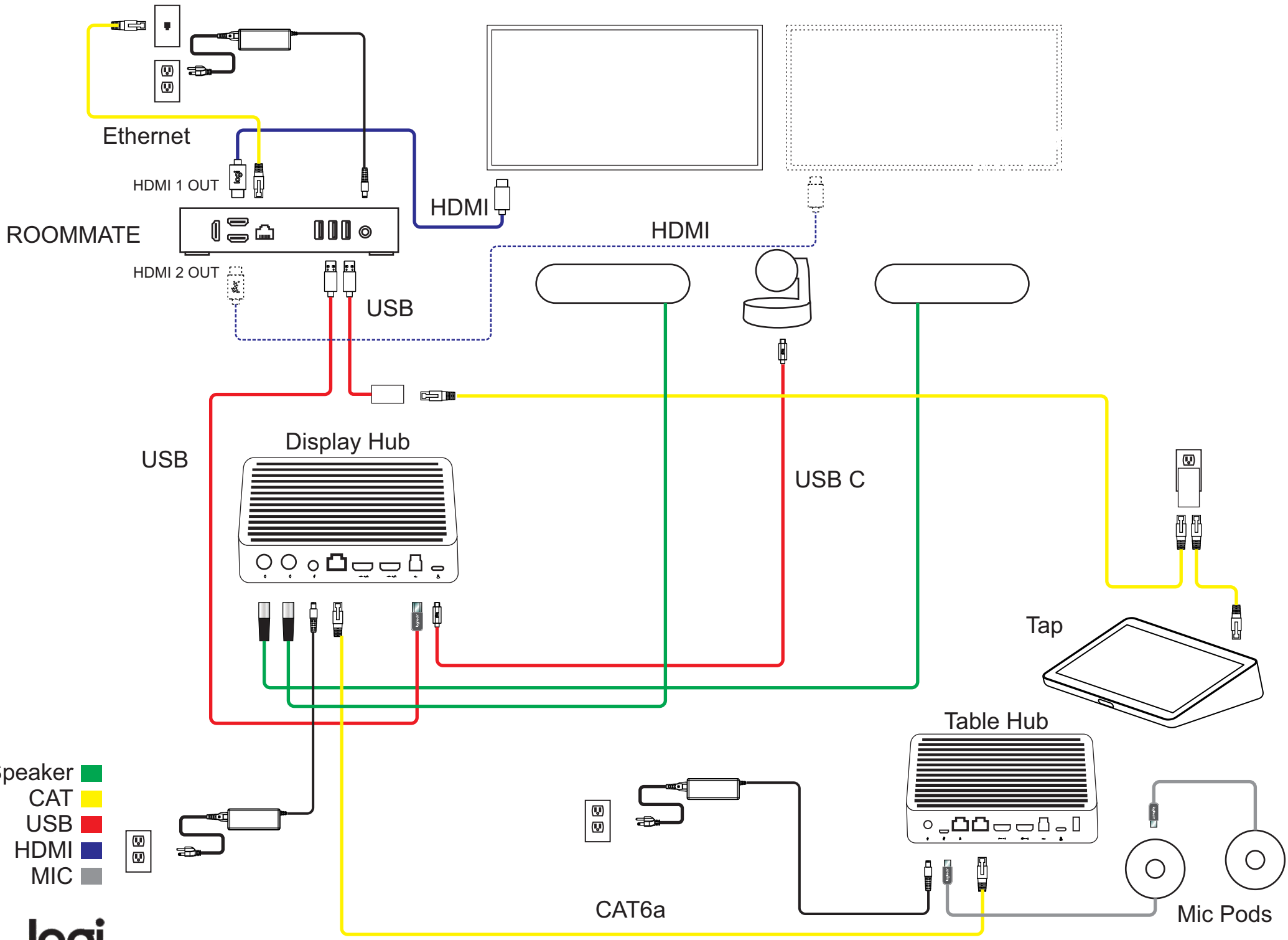
**Rally Bar / Rally Bar Mini
 BYOD Mode: With Logitech Swytch**

ROOMMATE

[Table of Contents](#)

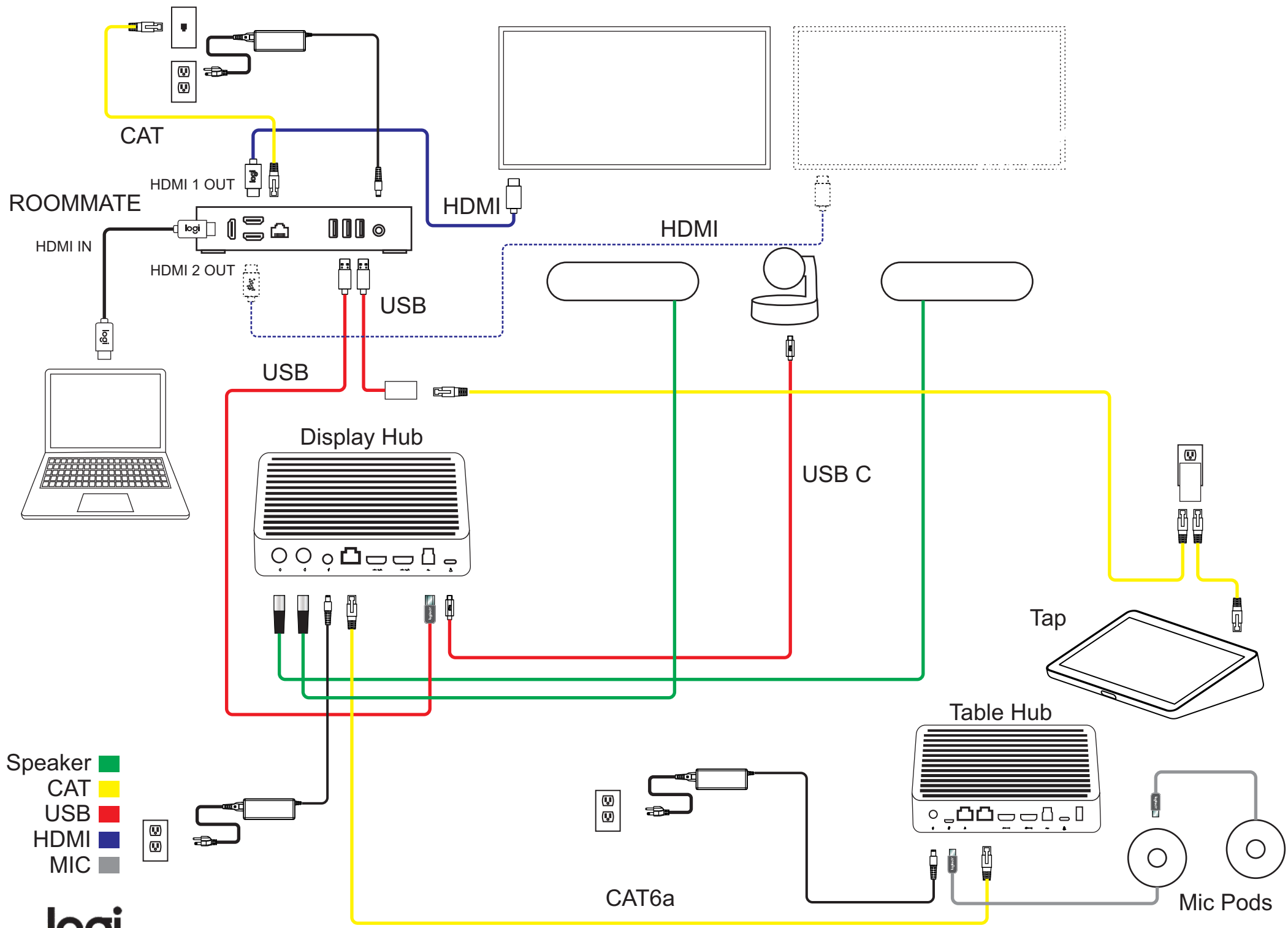


**RoomMate with MeetUp
Appliance Mode
Content Sharing via HDMI ingest**



- Speaker ■
- CAT ■
- USB ■
- HDMI ■
- MIC ■

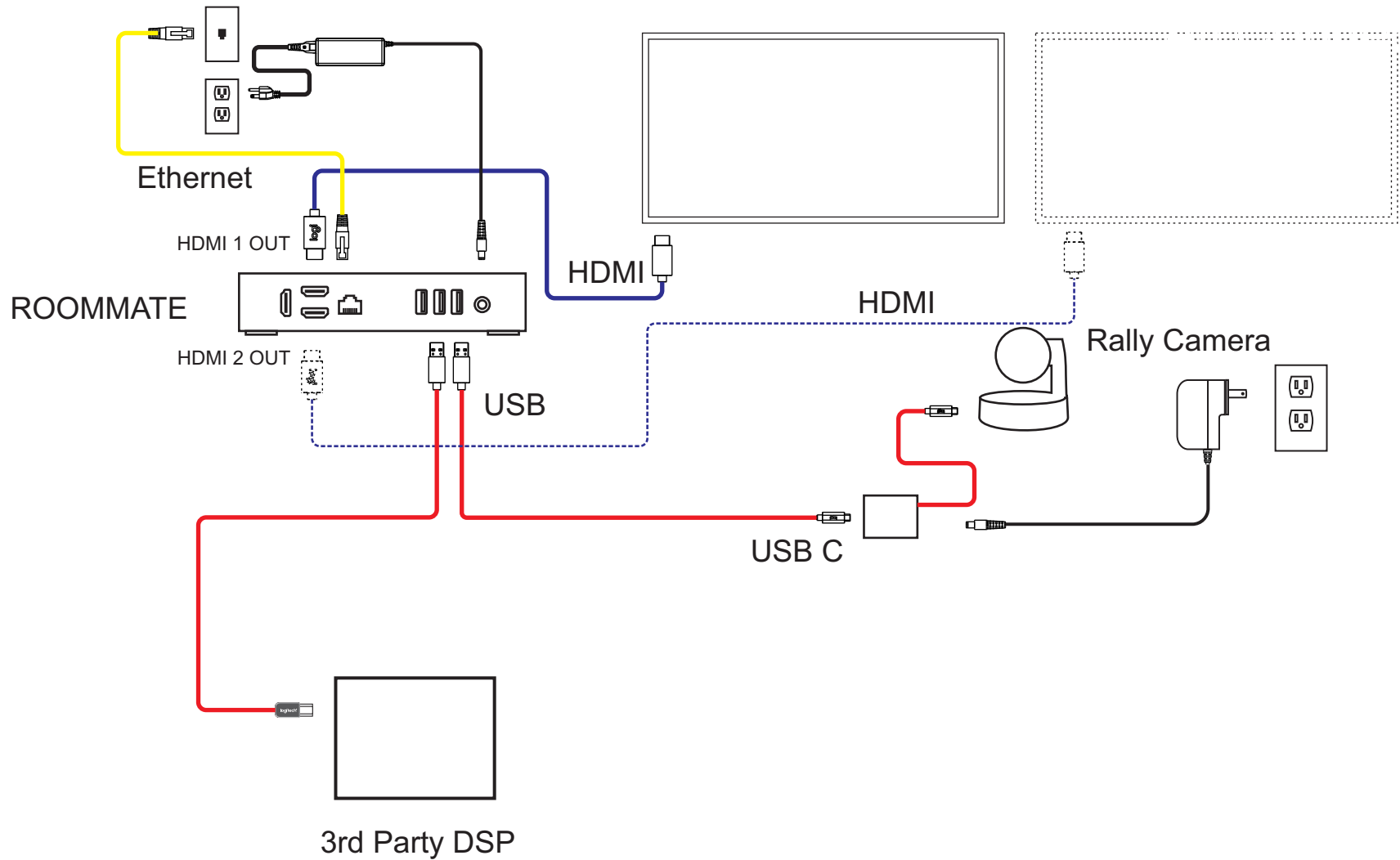




- Speaker ■
- CAT ■
- USB ■
- HDMI ■
- MIC ■

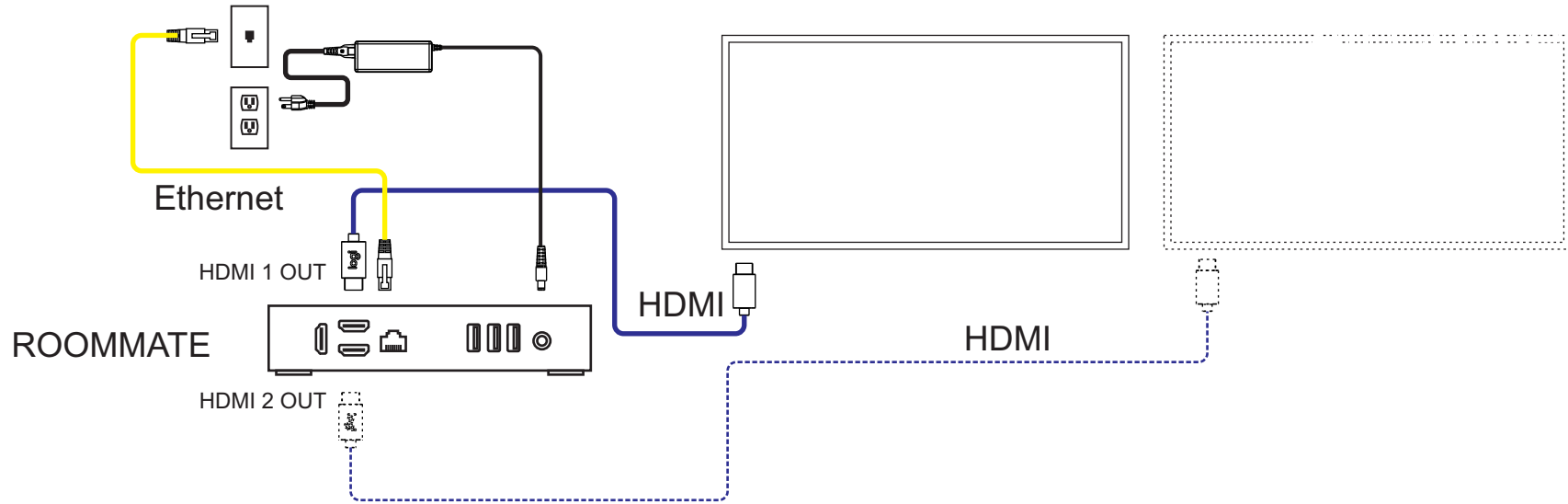


RoomMate with Rally Plus: Content Sharing via HDMI ingest



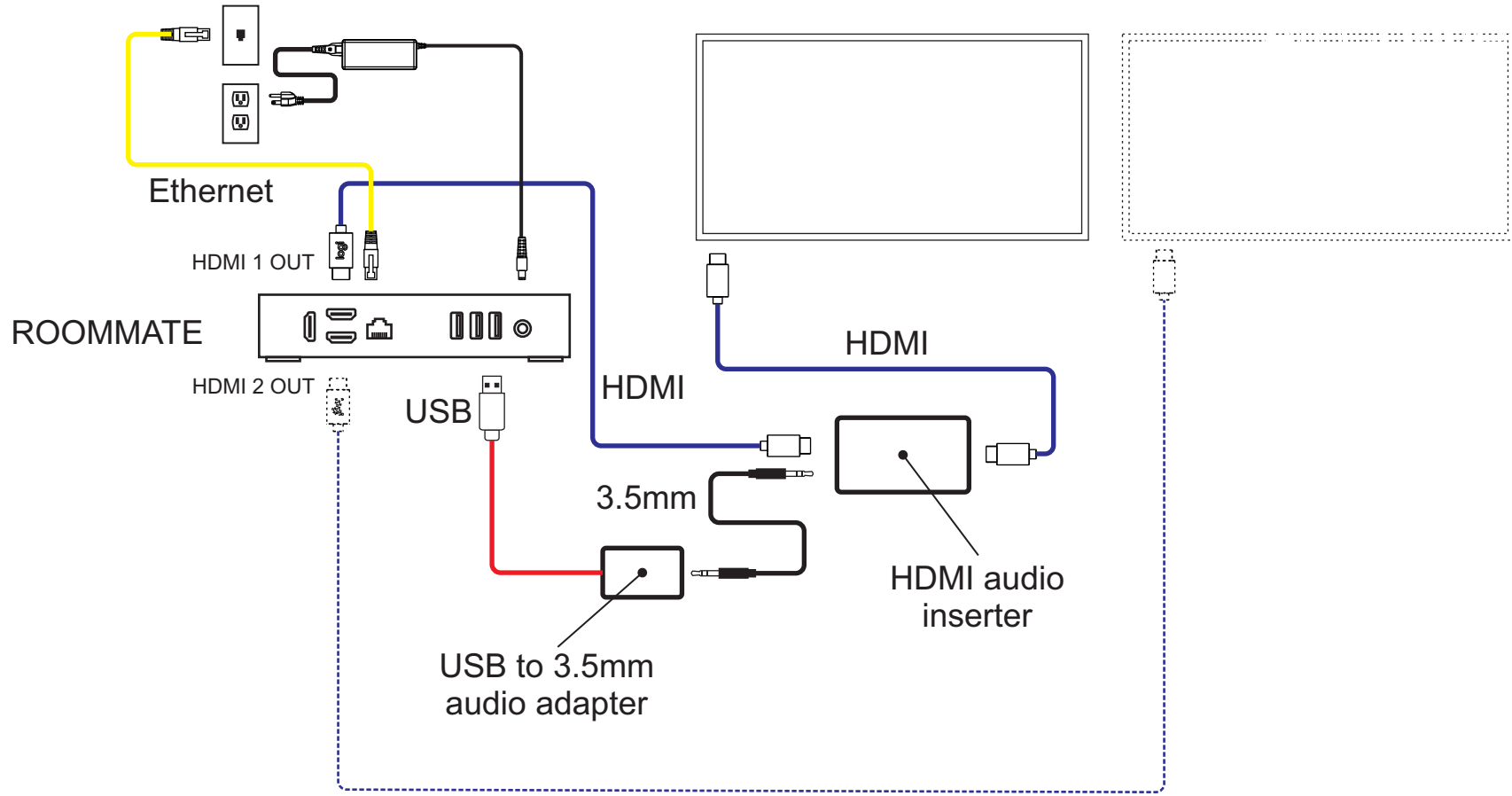
CAT ■
 USB ■
 HDMI ■





CAT ■
 USB ■
 HDMI ■



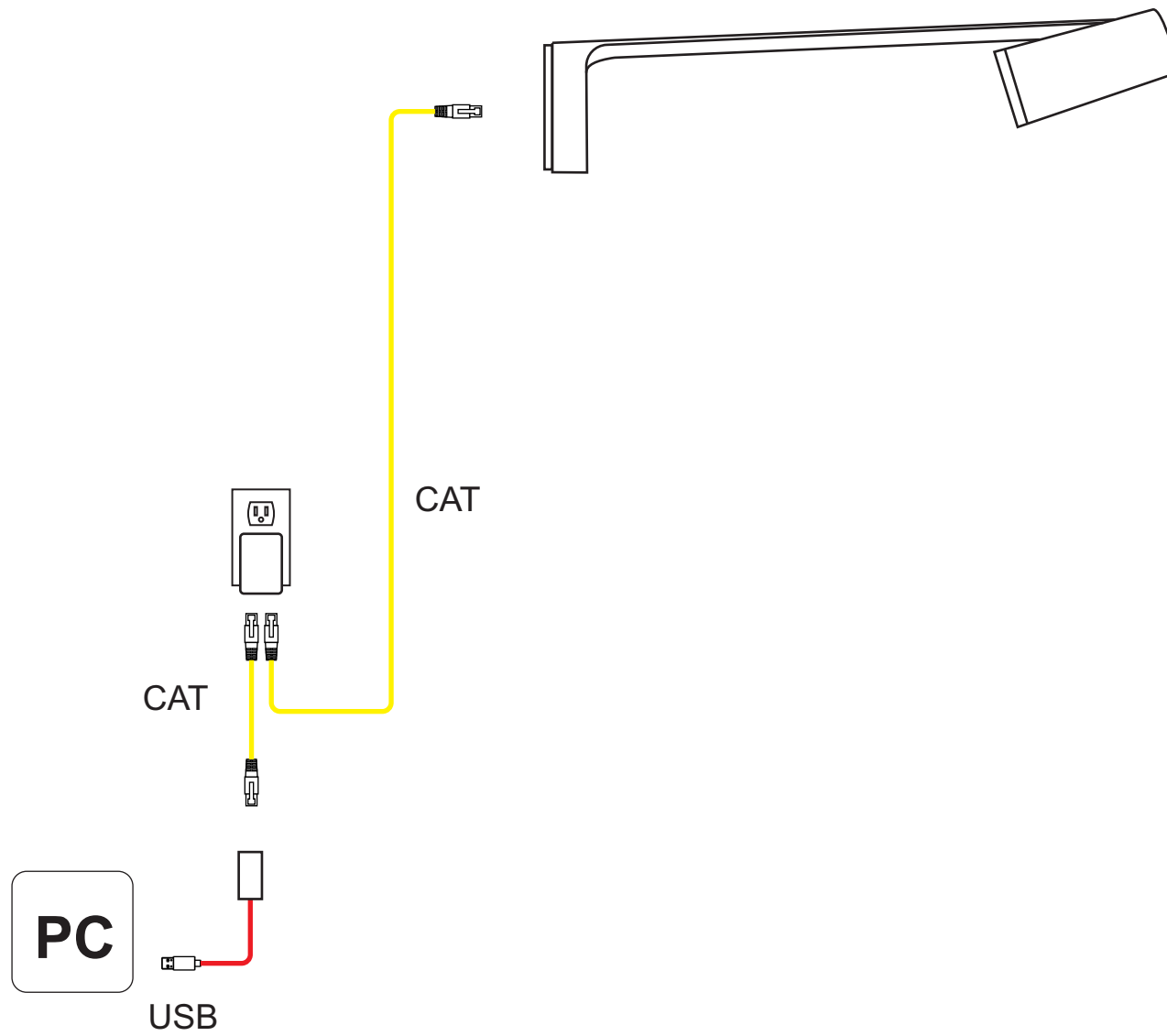


CAT ■
 USB ■
 HDMI ■



SCRIBE

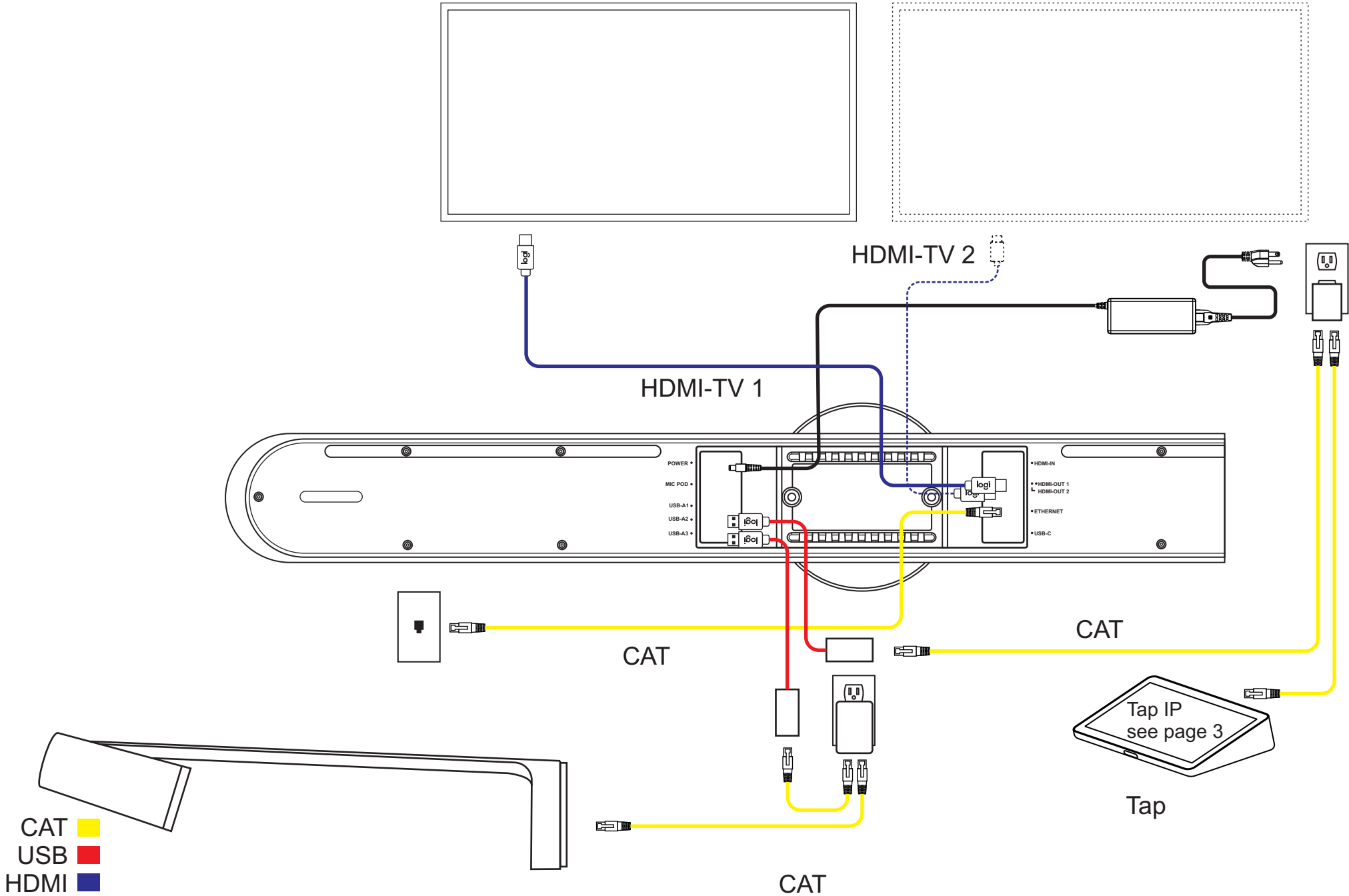
[Table of Contents](#)



CAT 
USB 

logi

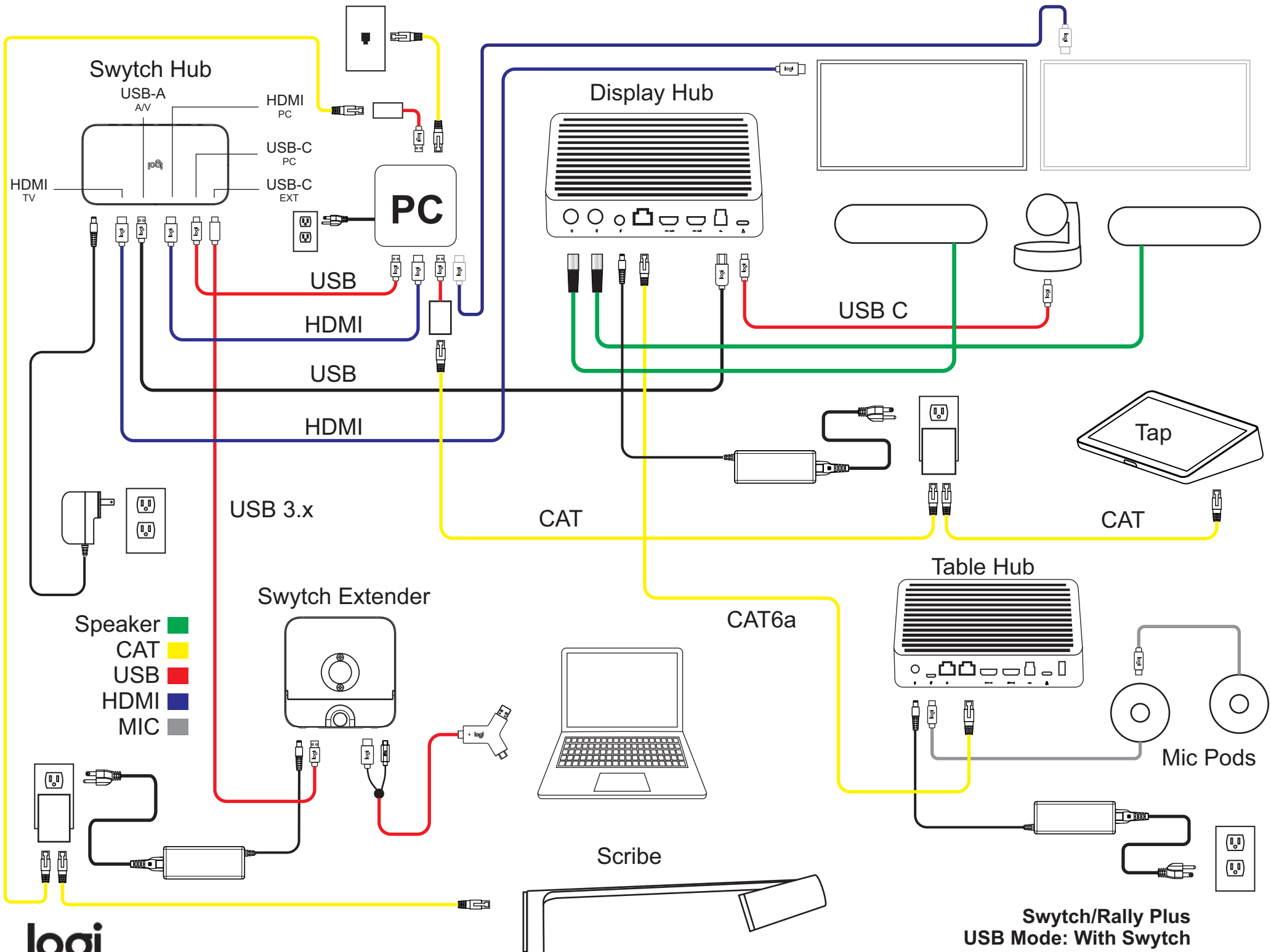
Scribe: PC connection



- CAT ■
- USB ■
- HDMI ■



Scribe: Appliance mode connection (VC application dependent)



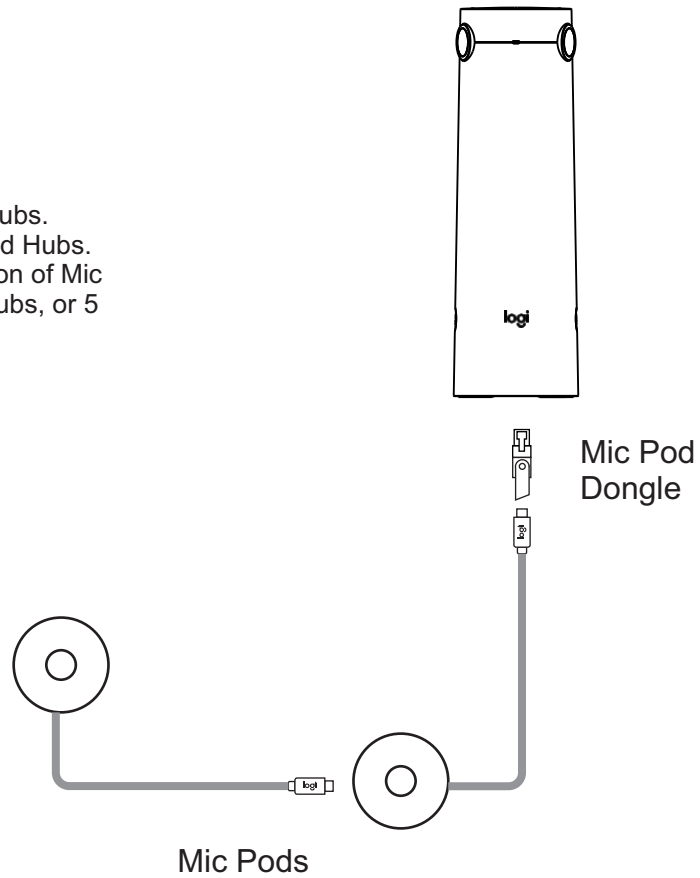
SIGHT

[Table of Contents](#)

Sight requires POE+ power (802.3at Type 2). This can be supplied by connecting to a POE+ network switch or an **active** POE+ power injector.




When using Sight

- Rally Bar supports up to 3 Mic Pods and 2 Mic Pod Hubs.
- Rally Bar Mini supports up to 2 Mic Pods and 2 Mic Pod Hubs.
- Rally and Rally Plus support up to 6 of any combination of Mic Pods or Mic Pod Hubs (ie. 4 Mic Pods + 2 Mic Pod Hubs, or 5 Mic Pods and 1 Mic Pod Hub). Coming soon.

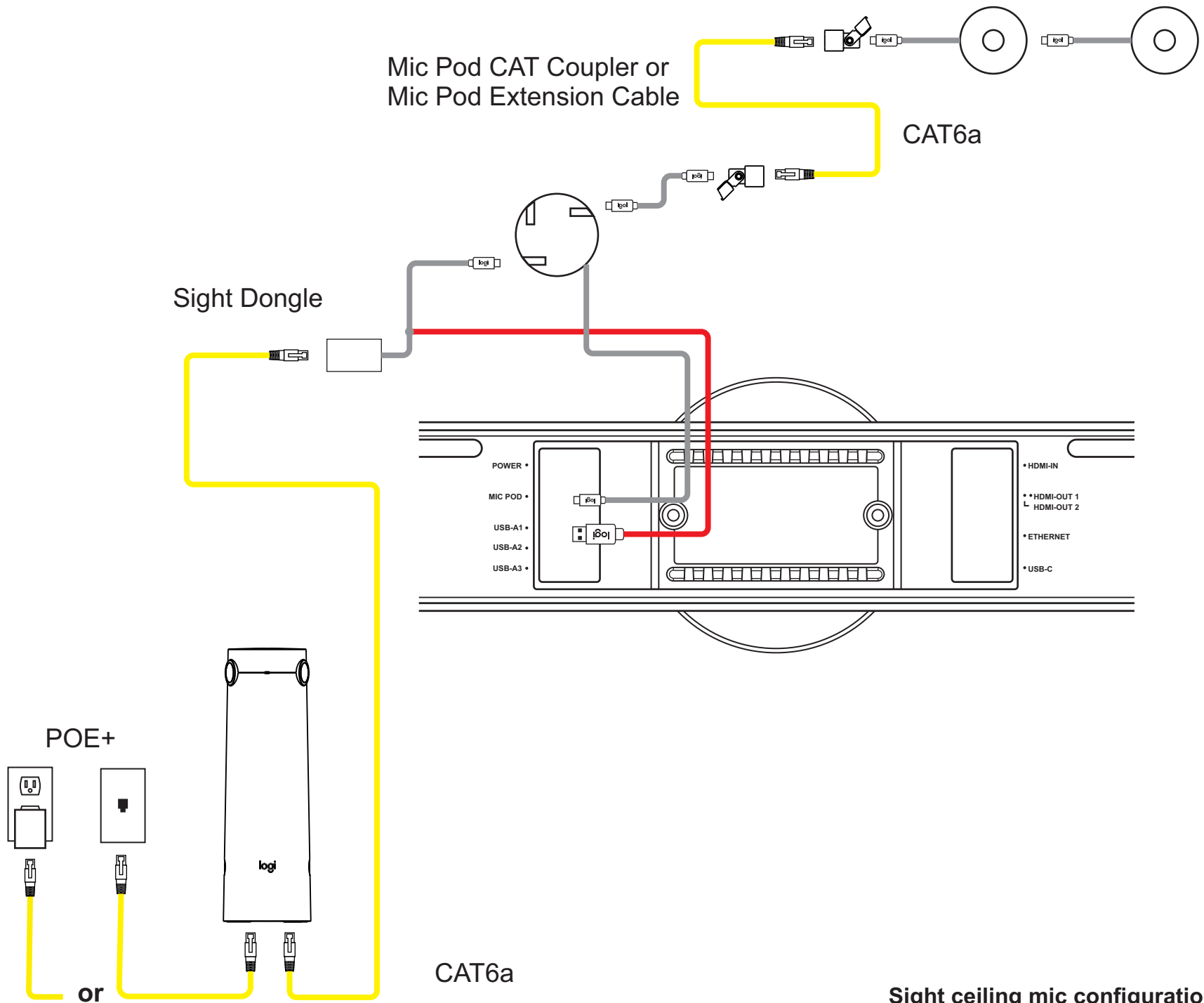


MIC ■

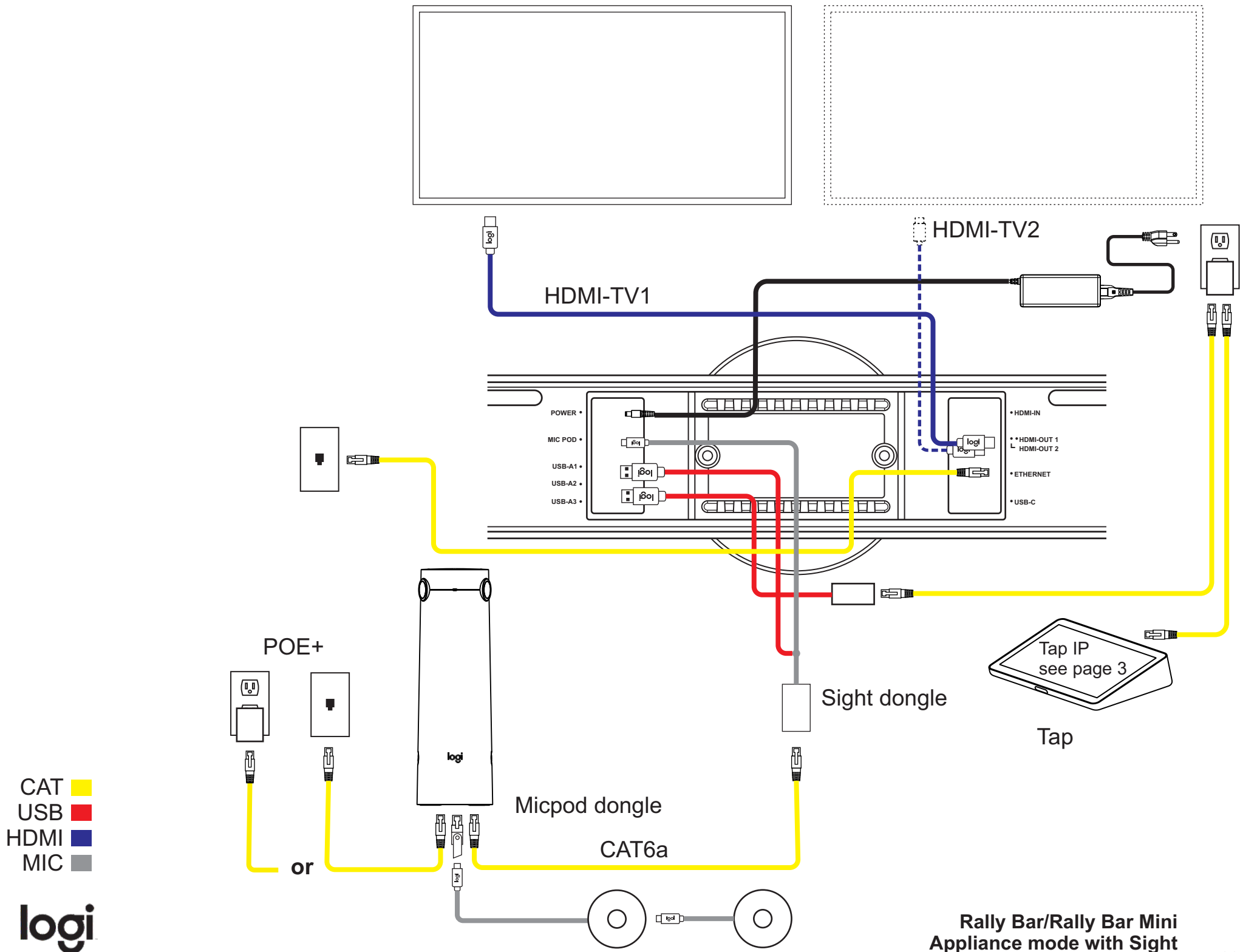


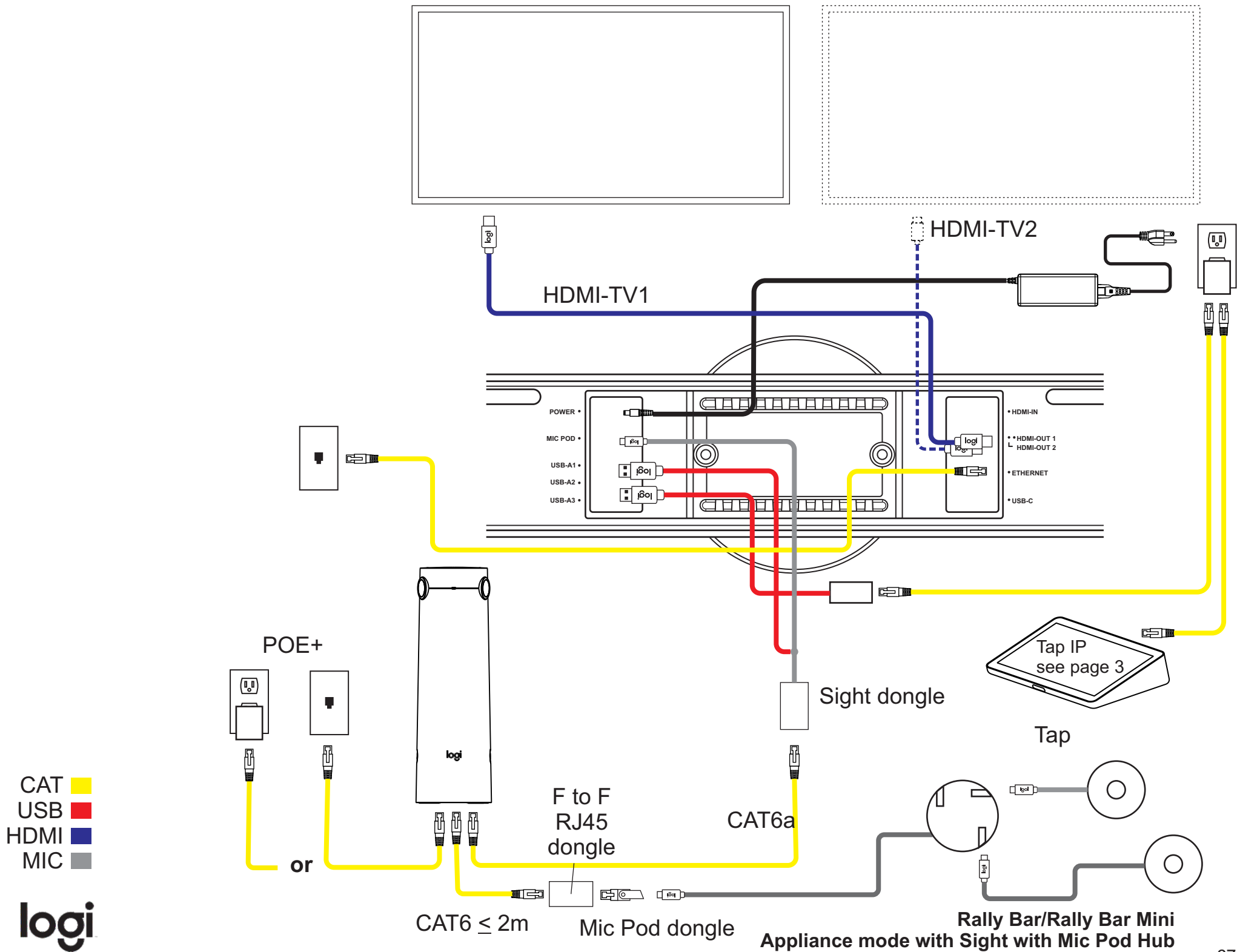
CAT 
USB 
MIC 

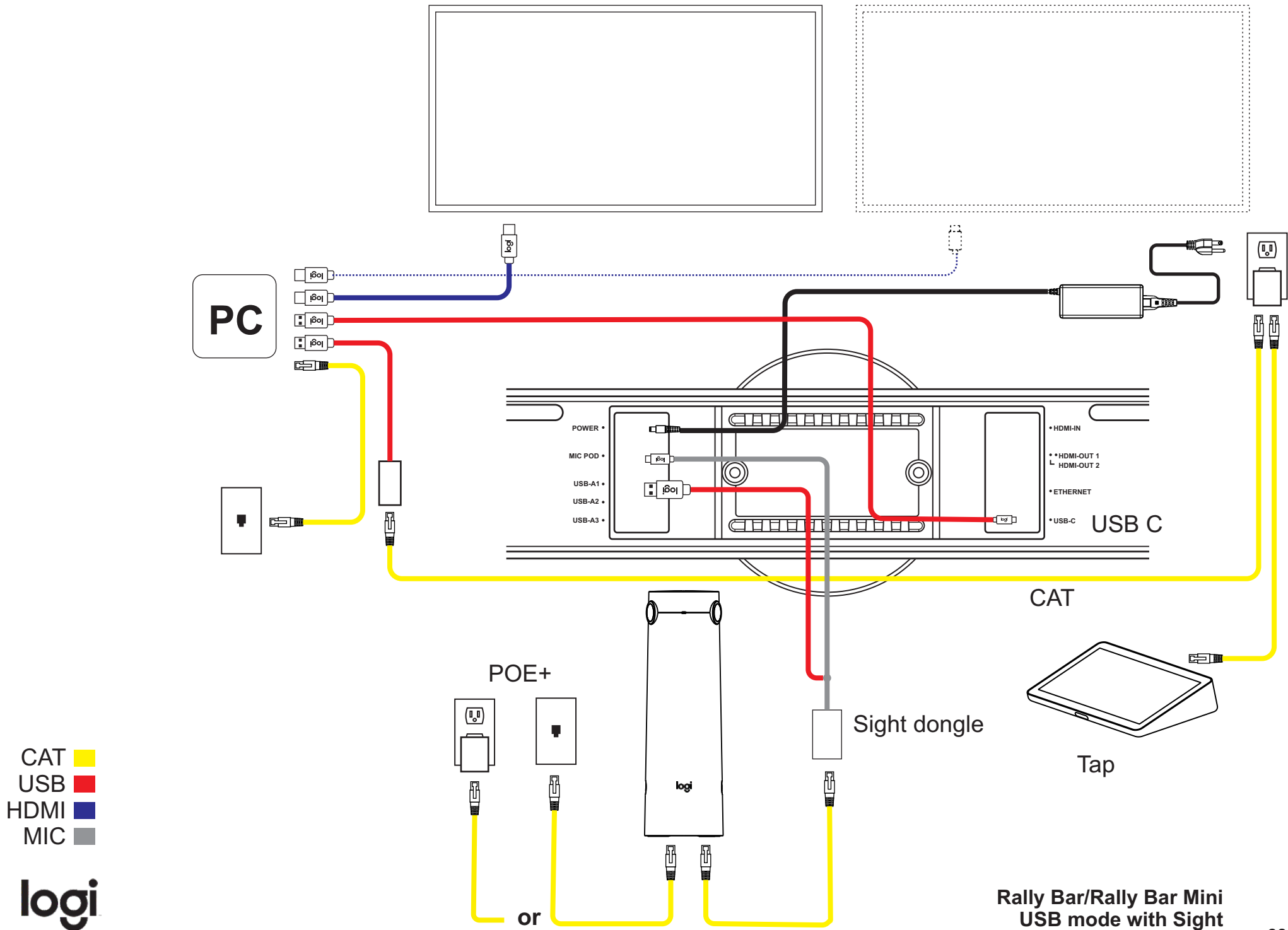
logi



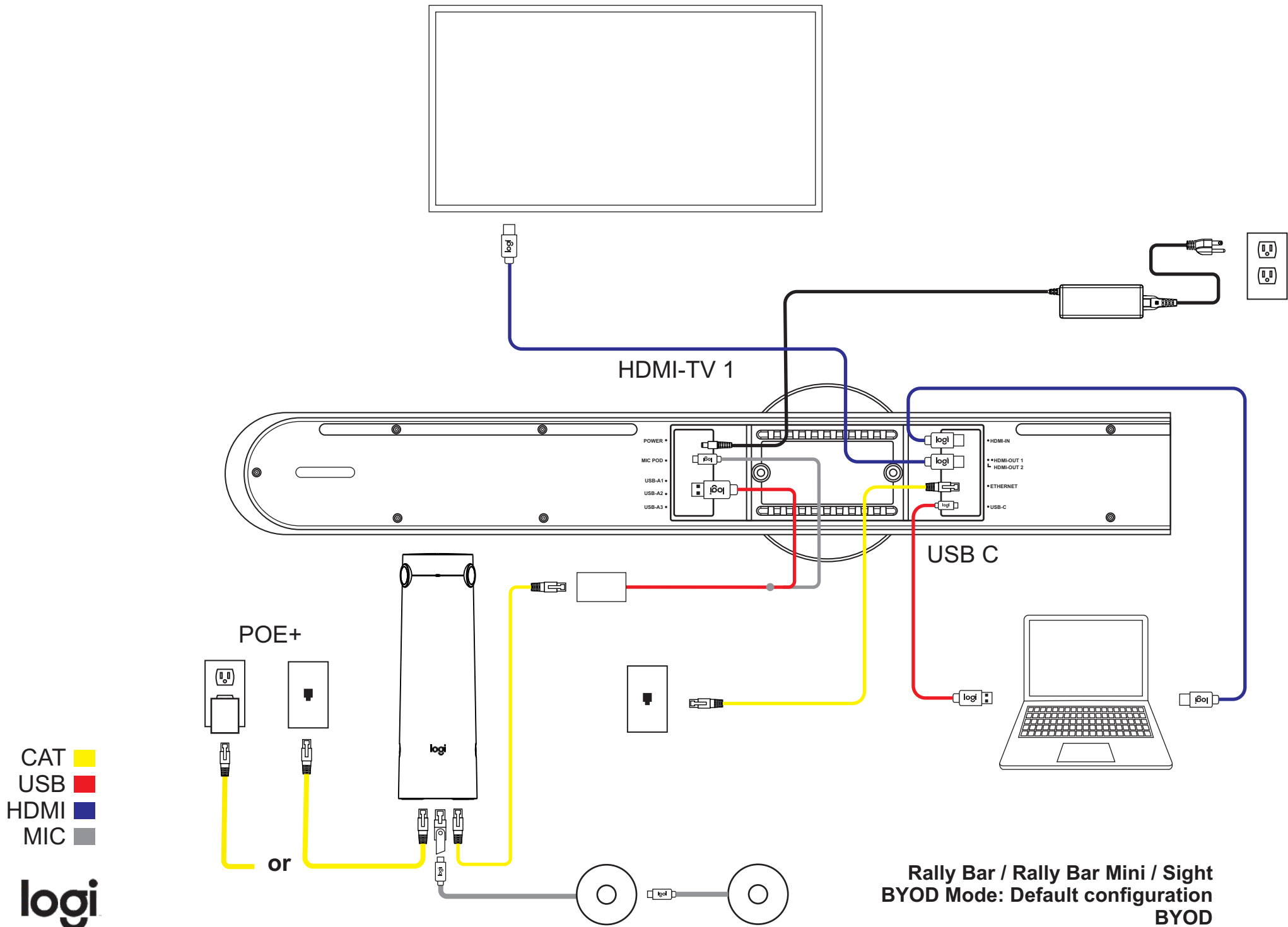
**Sight ceiling mic configuration
Applies to Appliance or USB setups
Mic Pod/Mic Pod Hub capacity is as noted on prior page
Requires CollabOS 1.12 or later**





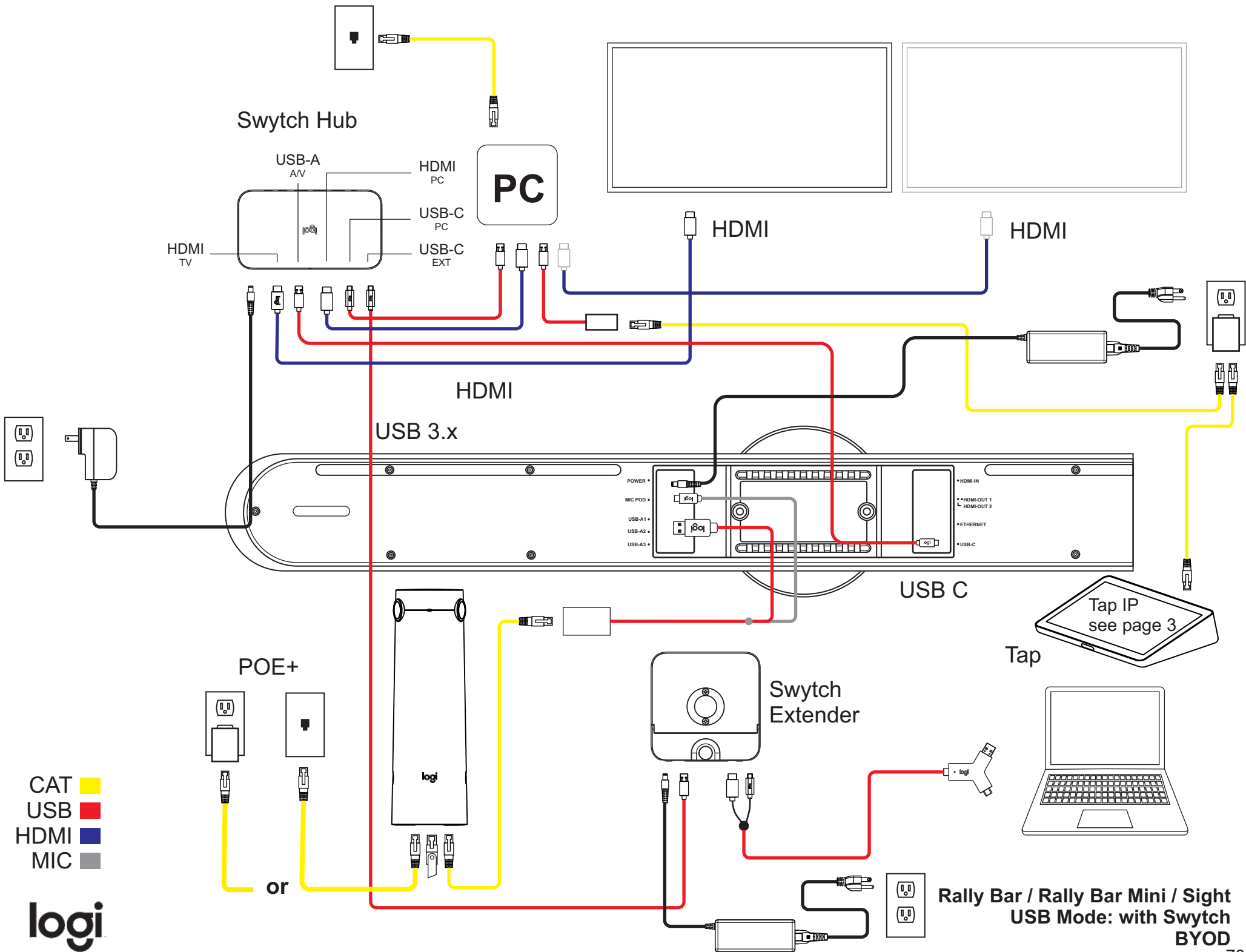


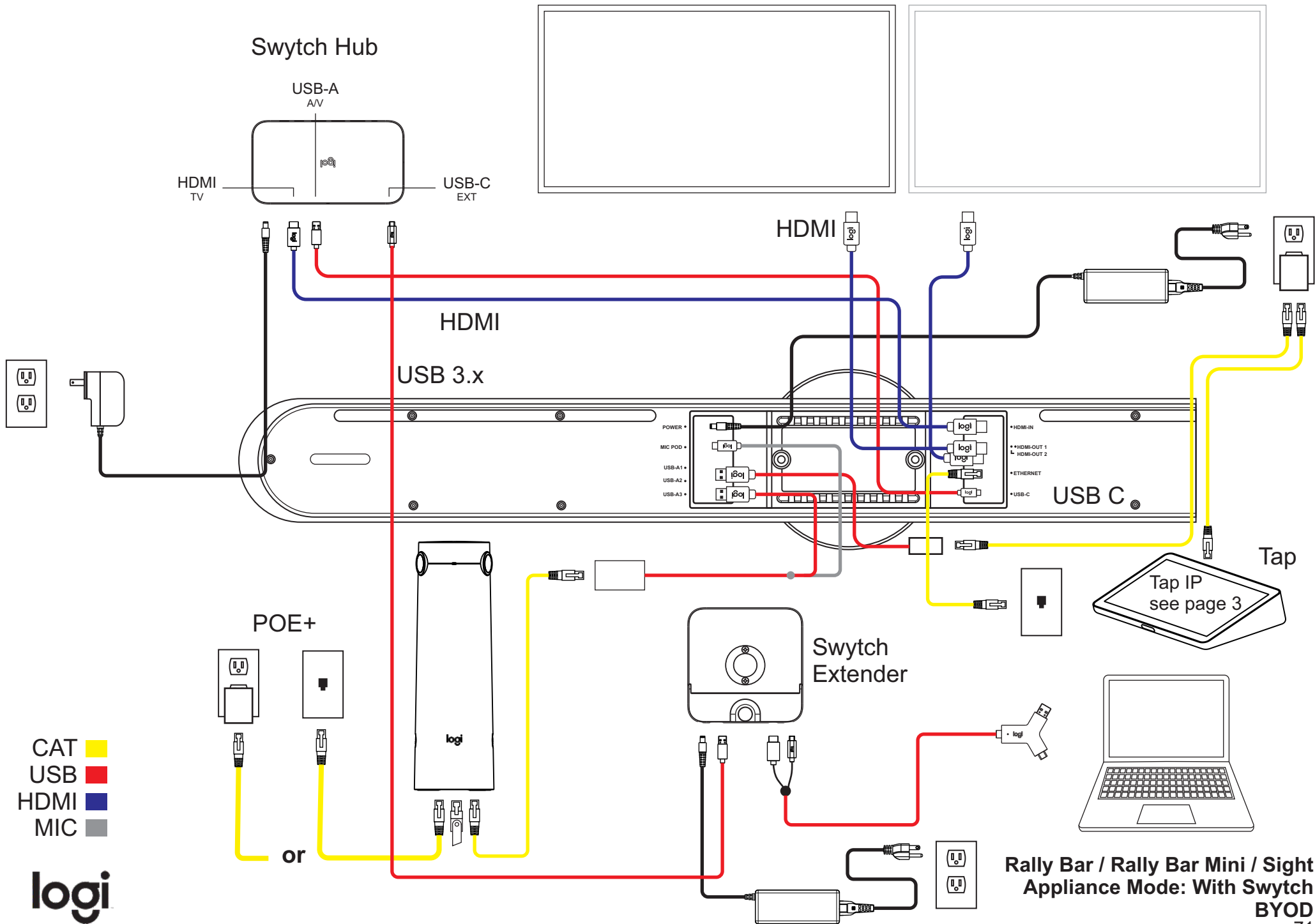
Rally Bar/Rally Bar Mini
USB mode with Sight



Rally Bar / Rally Bar Mini / Sight
 BYOD Mode: Default configuration
 BYOD

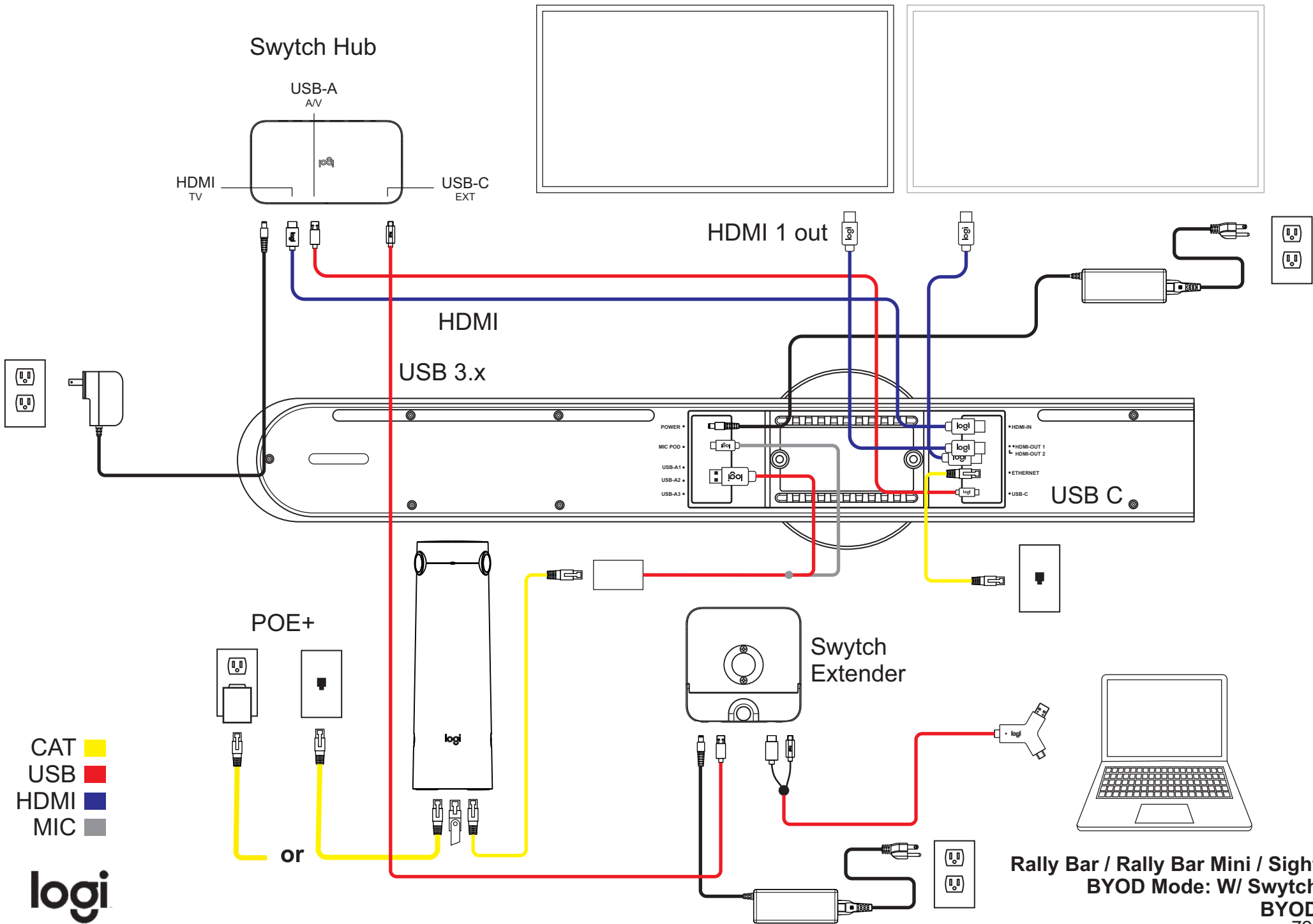






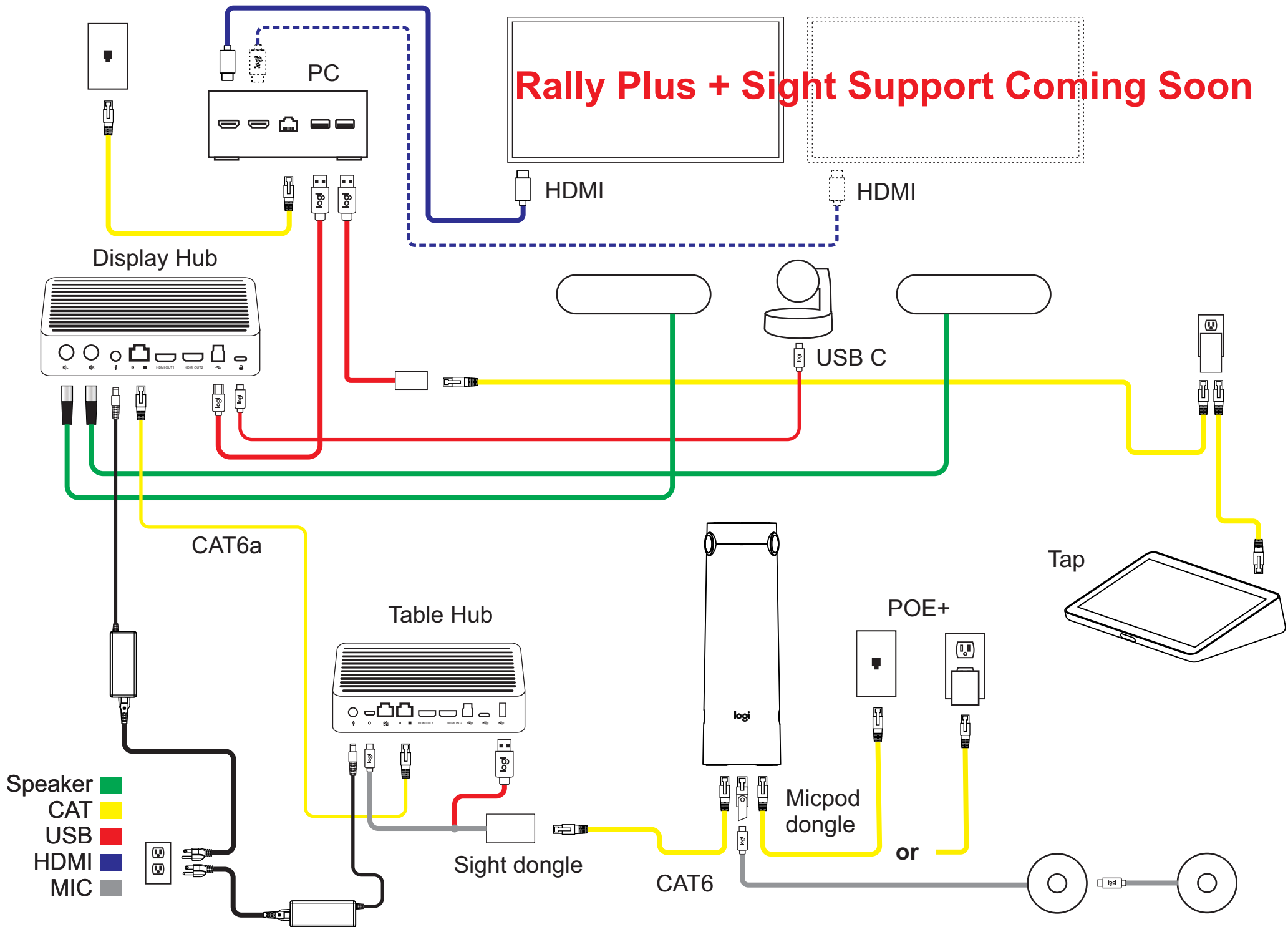
- CAT ■
- USB ■
- HDMI ■
- MIC ■





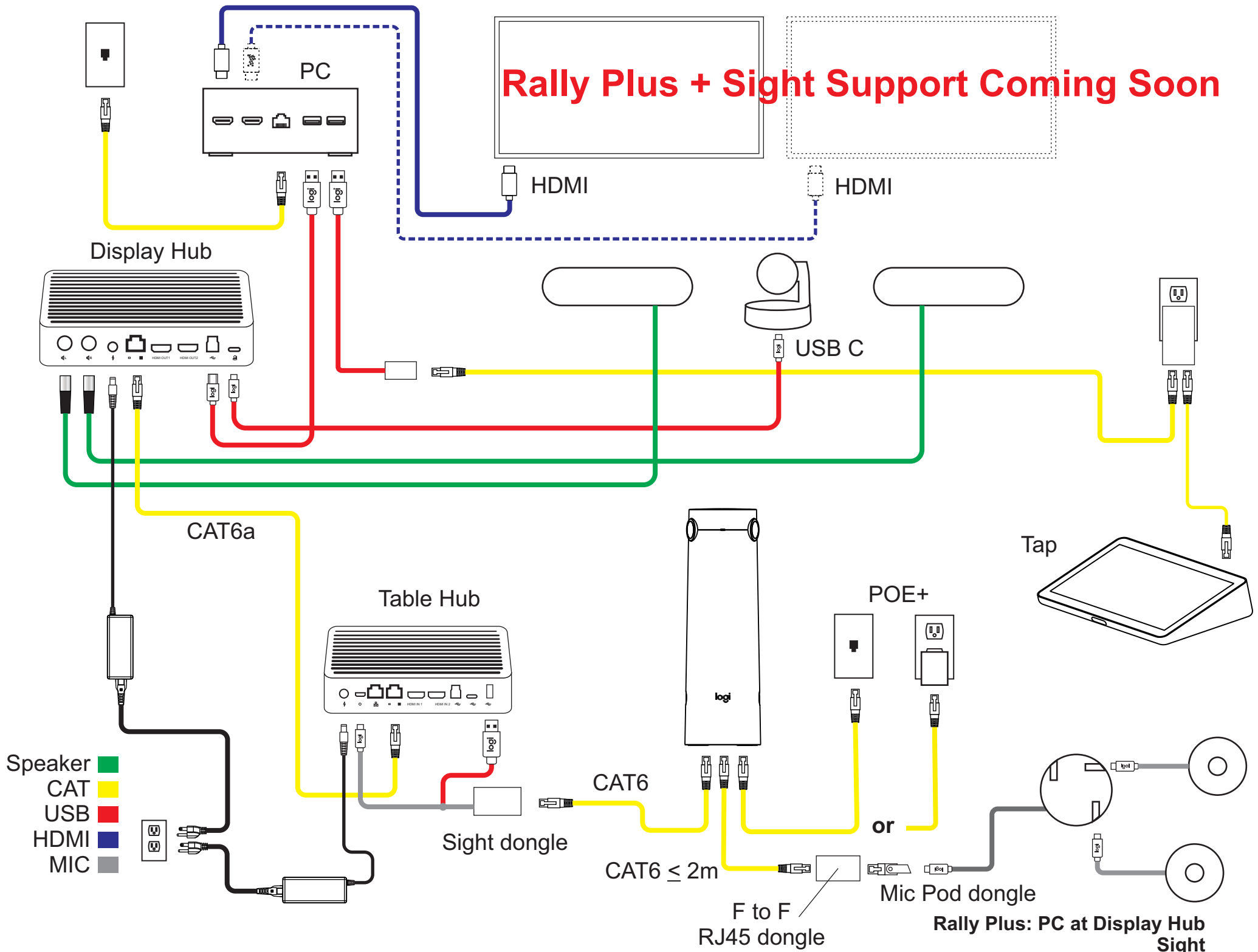
Rally Bar / Rally Bar Mini / Sight
 BYOD Mode: W/ Swytch
 BYOD
 72

Rally Plus + Sight Support Coming Soon

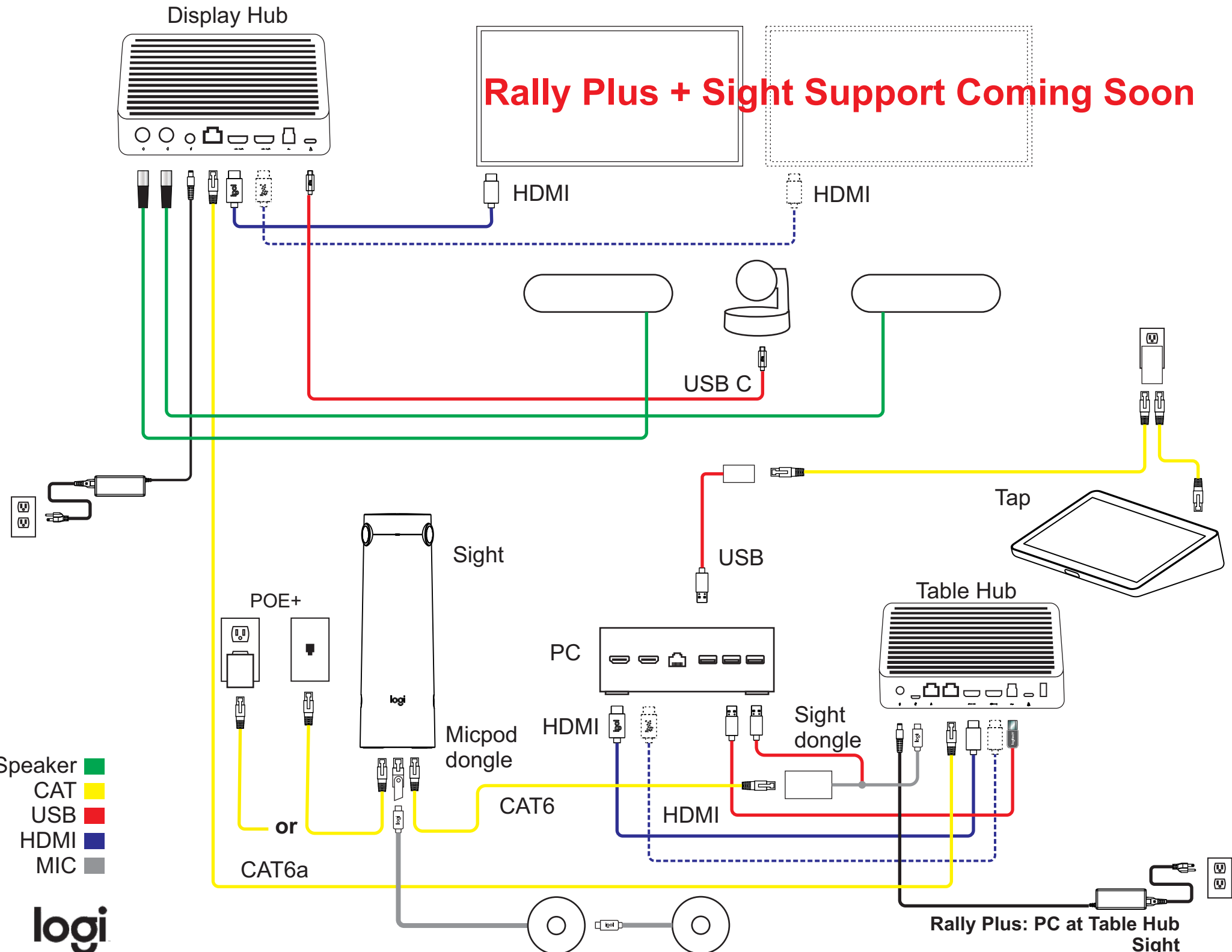


Rally Plus: PC at Display Hub Sight

Rally Plus + Sight Support Coming Soon



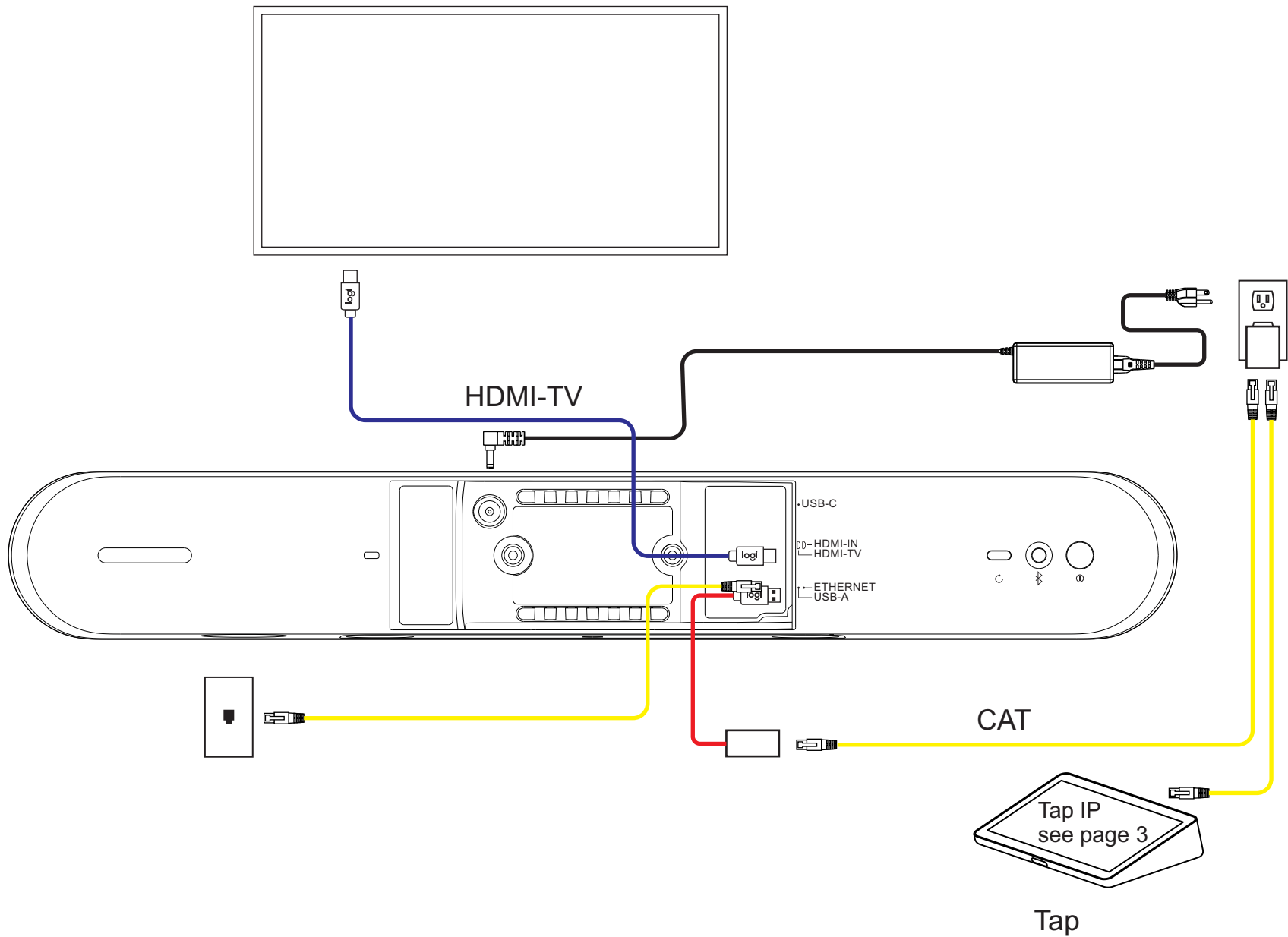
Rally Plus + Sight Support Coming Soon



Rally Plus: PC at Table Hub
Sight

RALLY BAR HUDDLE IN APPLIANCE MODE

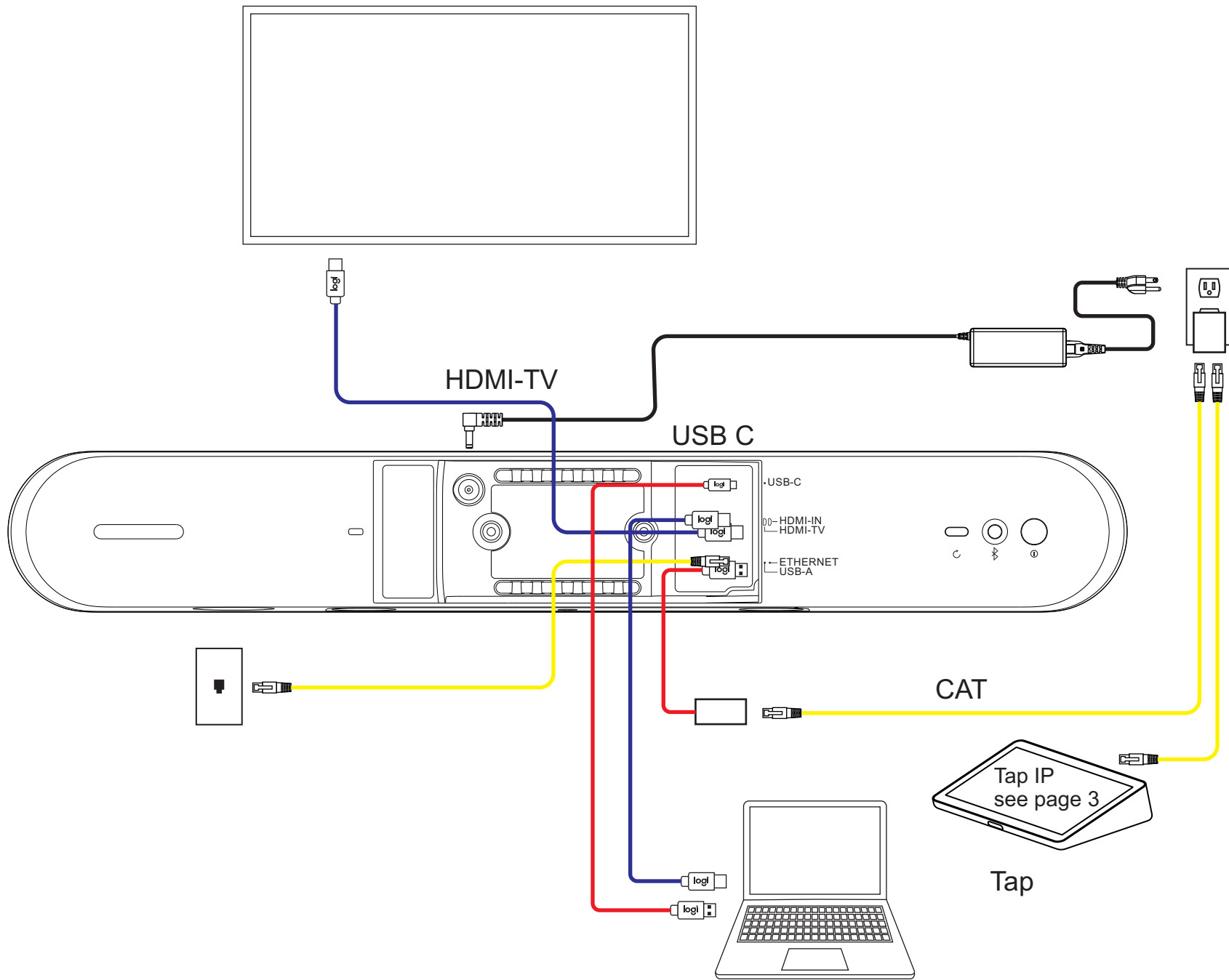
[Table of Contents](#)



- CAT
- USB
- HDMI



Rally Bar Huddle
Appliance Mode: Default configuration



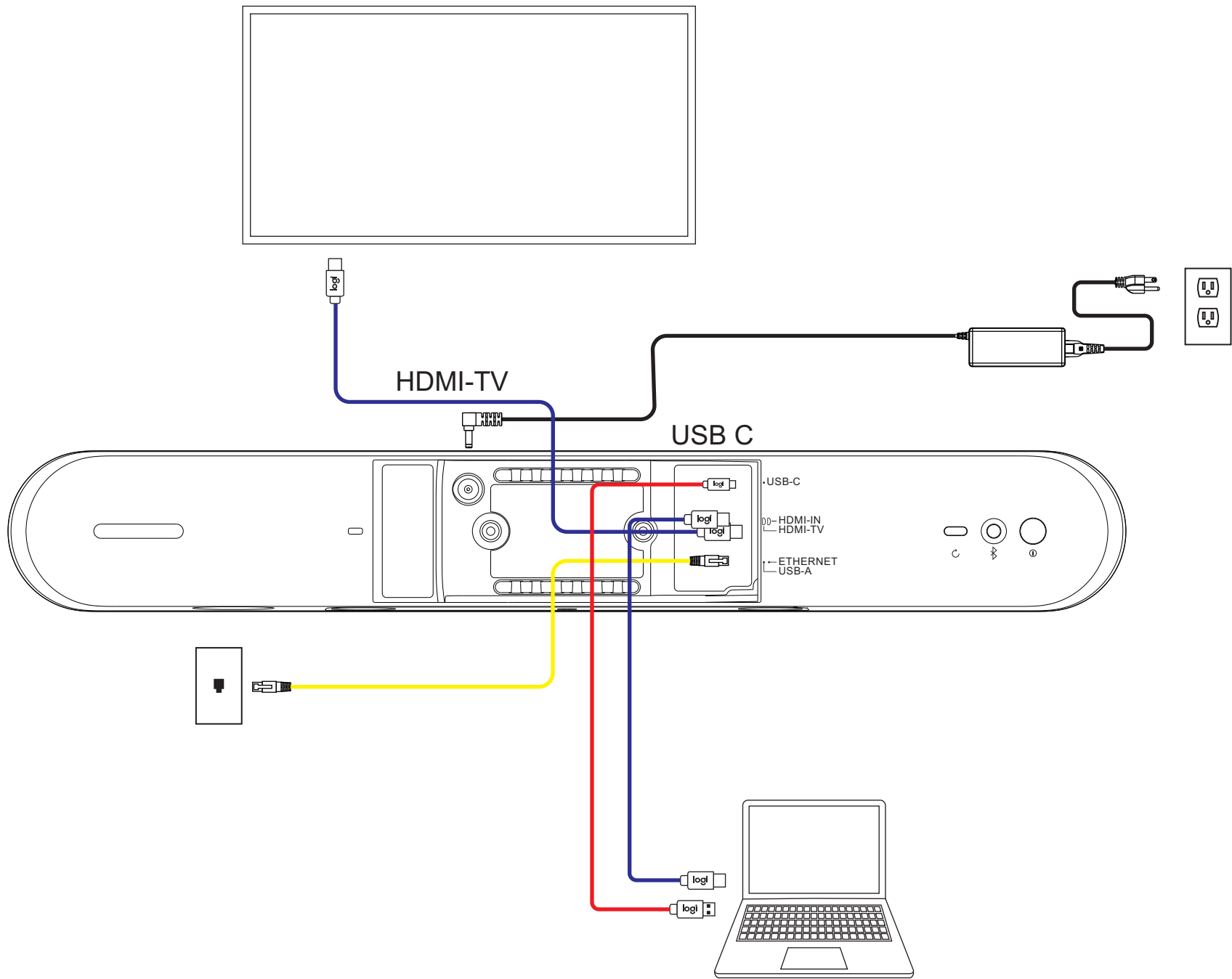
- CAT ■
- USB ■
- HDMI ■



Rally Bar Huddle
Appliance Mode: Temporary switch to USB mode

RALLY BAR HUDDLE IN BYOD MODE

[Table of Contents](#)



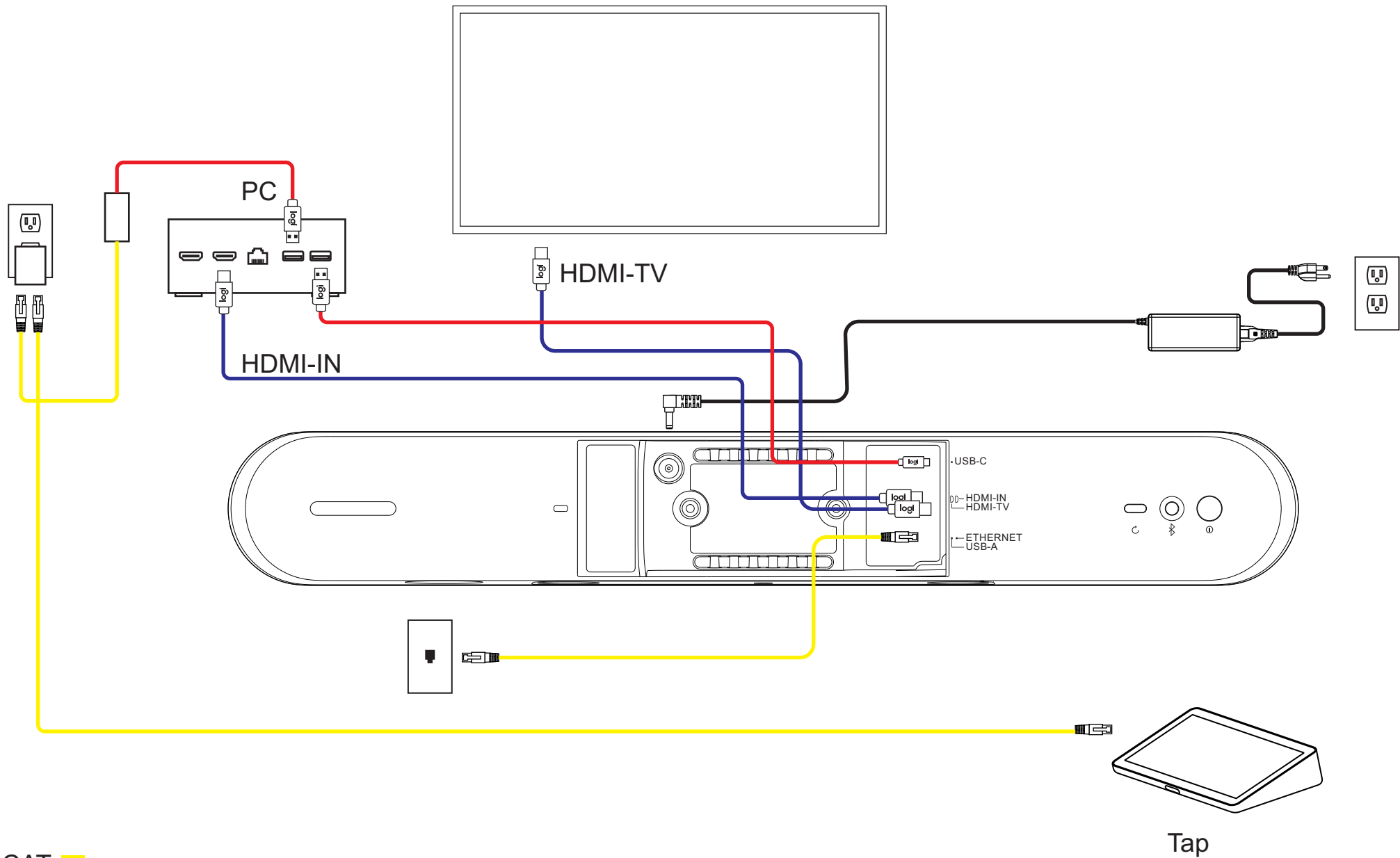
CAT ■
 USB ■
 HDMI ■



**Rally Bar Huddle
BYOD Mode: Default configuration**

RALLY BAR HUDDLE IN USB MODE

[Table of Contents](#)



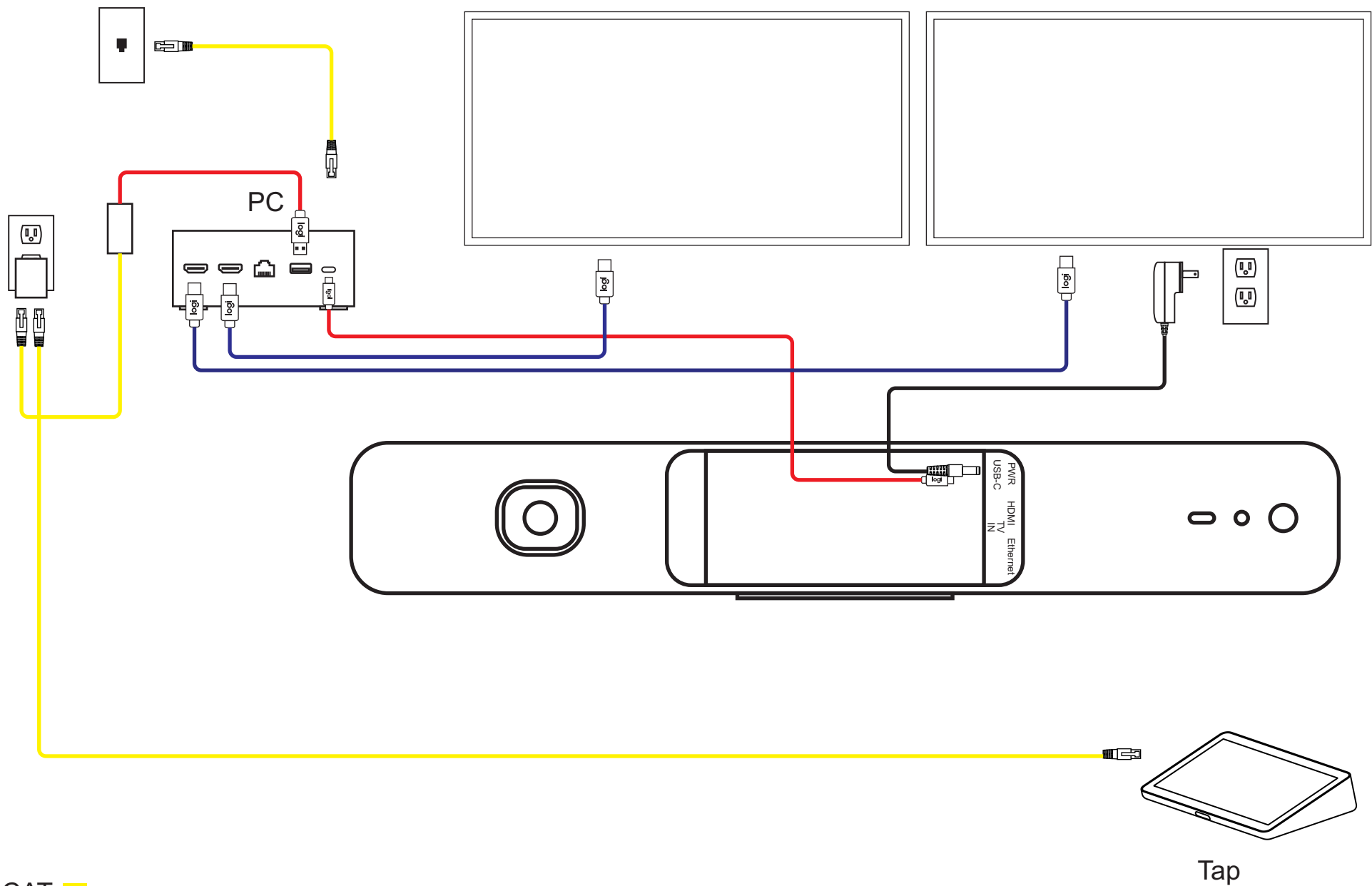
CAT ■
 USB ■
 HDMI ■



Rally Bar Huddle
USB Mode: Default configuration

MEETUP 2

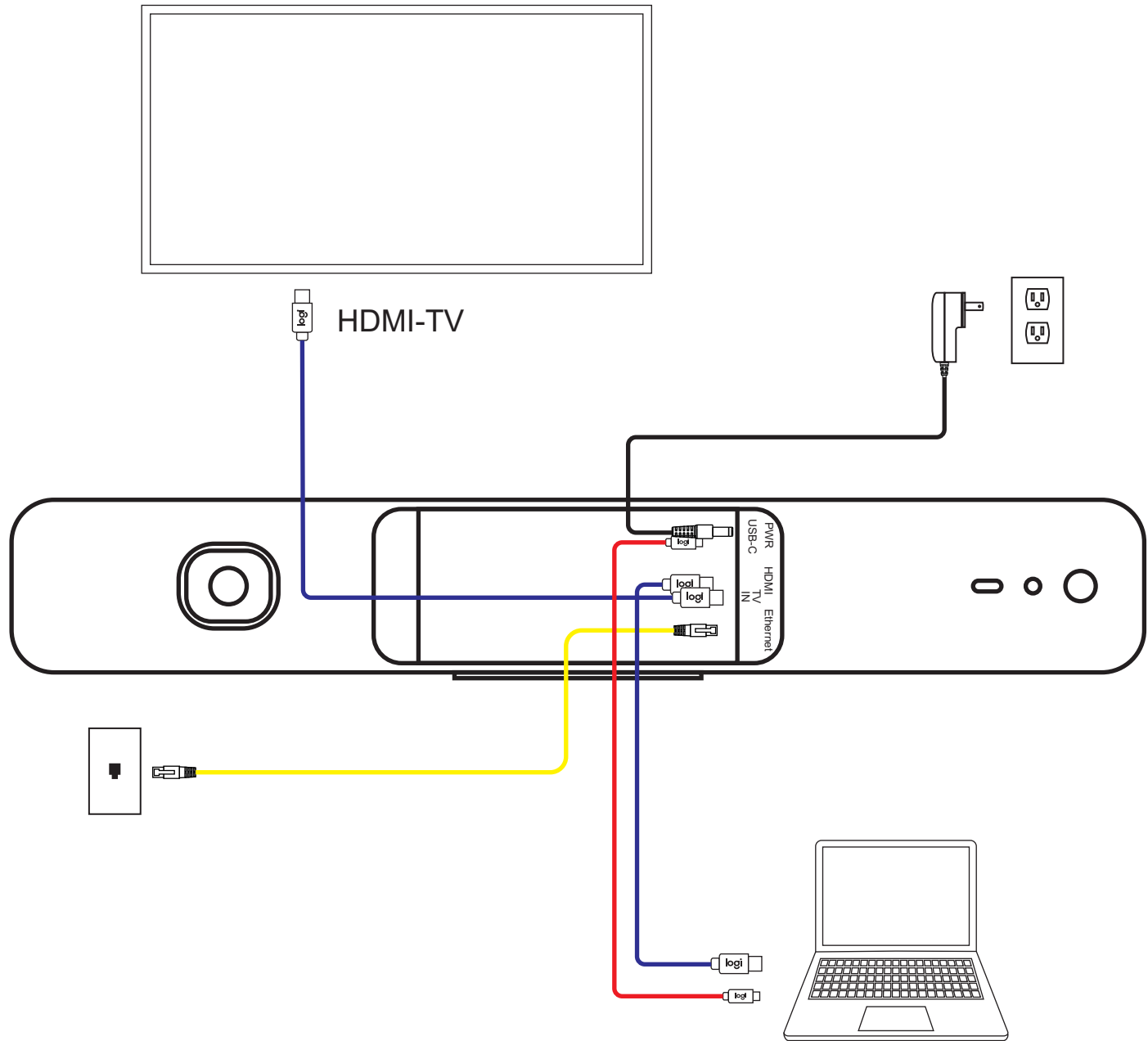
[Table of Contents](#)



CAT ■
 USB ■
 HDMI ■



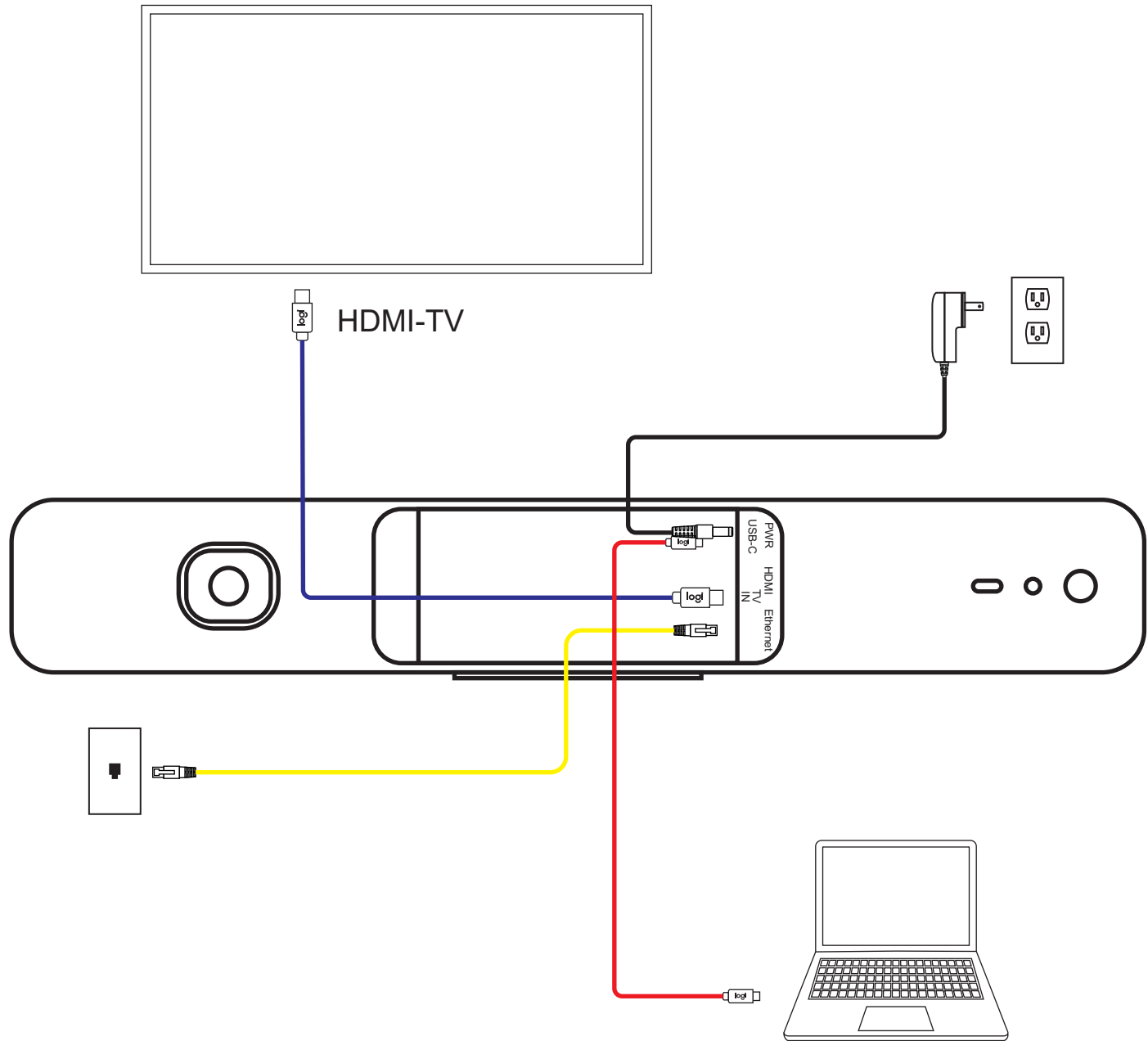
MeetUp 2
USB Mode: Dedicated PC configuration



CAT ■
 USB ■
 HDMI ■



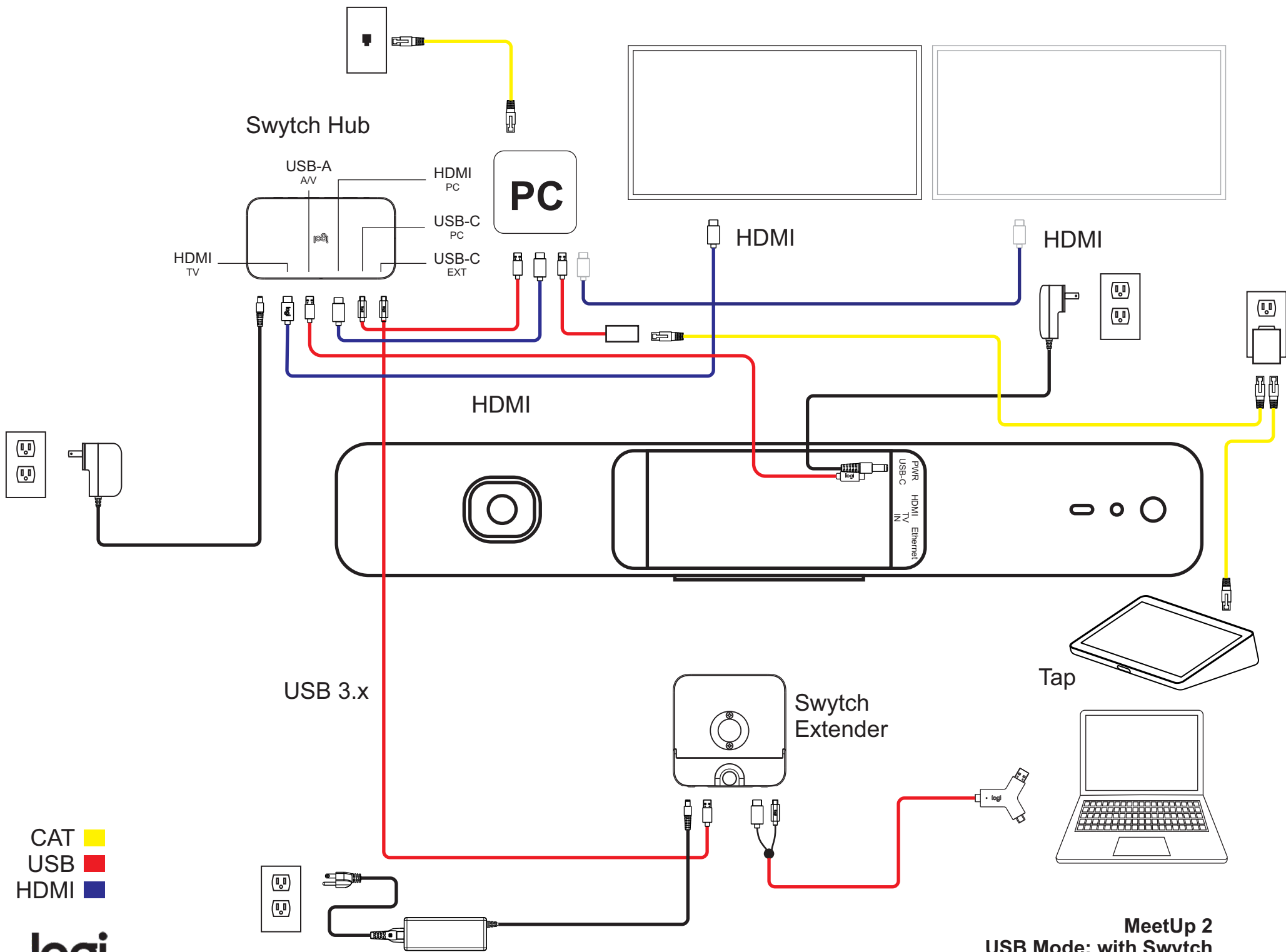
MeetUp 2
USB Mode: BYOD configuration HDMI + USB



CAT ■
 USB ■
 HDMI ■



MeetUp 2
USB Mode: BYOD configuration w/ DP Alt Mode
Requires a USB Cable that supports DP Alt Mode



Please see <https://hub.sync.logitech.com/> for more information